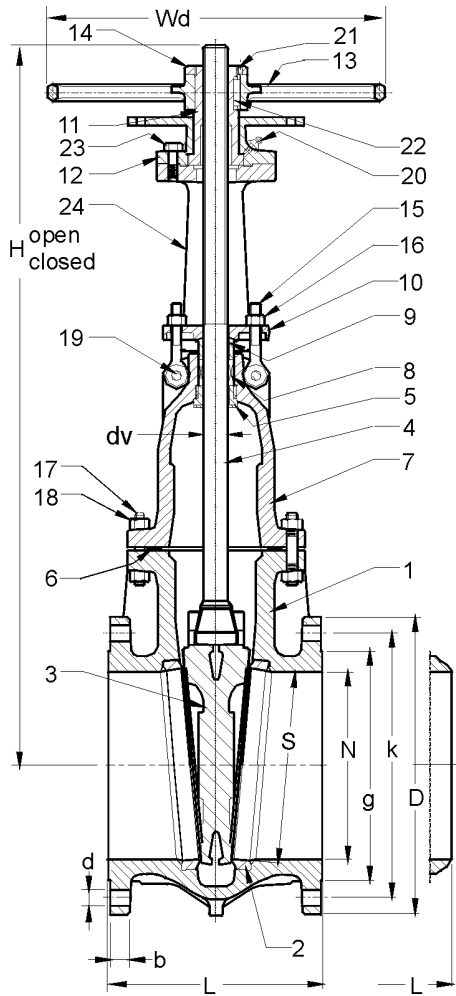


1550CB2 FLANGED ENDS 1552CB2 BUTT-WELD ENDS GATE CLASS 150 14"-30"



SPECIFICATIONS		
Design	API 600, ASME B 16.34	
P-T Rating	ASME B 16.34	
Connections	ASME B 16.5, 16.25	
Face to Face	ASME B 16.10	
Test & Inspection	API 598, RP 591	
MATERIAL LIST		
ITEM	PARTS NAME	MATERIALS
Unless otherwise specified		
1	Body	A216 Gr WCB
2	Seat Ring/Facing	A105 / Co-Cr-W Face or A216 Gr WCB / Co-Cr-W Face
3	Wedge	A216 Gr WCB / 13% Cr Face
4	Stem	A182 Gr F6a
5	Backseat Bushing	A276 Type 410
6	Gasket	Flex Graphite w/ S/S Core
7	Bonnet	A216 Gr WCB
8	Packing	Graphoil w/ Braided Rings
9	Gland	A182 Gr F6a
10	Gland Flange	A105
11	Yoke Nut	A439 Type D2
12	Yoke Cap	A216 Gr WCB
13	Handwheel	A47Gr 32510
14	Handwheel Nut	A47 Gr 32510
15	Gland Eyebolt	Carbon Steel
16	Gland Eyebolt Nut	A307 Gr B
17	Body Bonnet Stud	A193 Gr B7
18	Body Bonnet Stud Nut	A194 Gr 2H
19	Gland Eyebolt Pin	Carbon Steel
20	Grease Fitting	Carbon Steel
21	Set Screw	Carbon Steel
22	Key	Carbon Steel
23	Bolt	Carbon Steel
24	Yoke	A216 Gr WCB

DIMENSIONS

Size NPS	Port		Line Flange					Face to Face L INCHES (mm)	BW L1 INCHES (mm)	Height		Stem dv INCHES (mm)	Line Flange Bolts		Turns to Open	Hand-wheel Wd INCHES (mm)	Weight Approx. lbs (kg)
	N INCHES (mm)	S INCHES (mm)	Dia. D INCHES (mm)	Thickness (min.) b INCHES (mm)	Bolt Circle Dia. k INCHES (mm)	Hole Dia. d INCHES (mm)	Raised Face Dia. g INCHES (mm)			Open H INCHES (mm)	Closed H INCHES (mm)		Quantity	Size INCHES (metric)			
14	13.25 336.6	13.52 343.4	21.00 533.4	1.38 35.1	18.75 476.3	1.12 28.4	16.25 412.8	15.00 381.0	22.50 571.5	64.65 1642.1	50.45 1281.4	1 3/4 44.5	12	1 M24	28.3	24.00 609.6	1096 498
16	15.25 387.4	15.49 393.4	23.50 596.9	1.44 36.6	21.25 539.8	1.12 28.4	18.50 469.9	16.00 406.4	24.00 609.6	73.23 1860.0	56.28 1429.5	1 3/4 44.5	16	1 M24	33.9	24.00 609.6	1291 587
18	17.25 438.2	17.64 448.1	25.00 635.0	1.56 39.6	22.75 577.9	1.25 31.8	21.00 533.4	17.00 431.8	26.00 660.4	81.88 2079.8	63.00 1600.2	1 7/8 47.6	16	1 1/8 M24	33.1	27.00 685.8	1806 821
20	19.25 489.0	19.40 492.8	27.50 698.5	1.69 42.9	25.00 635.0	1.25 31.8	23.00 584.2	18.00 457.2	28.00 711.2	94.50 2400.3	73.60 1869.4	2 50.8	20	1 1/8 M24	36.5	30.00 762.0	2189 995
24	23.25 590.6	23.82 605.0	32.00 812.8	1.88 47.8	29.50 749.3	1.38 35.1	27.25 692.2	20.00 508.0	32.00 812.8	105.30 2674.6	80.70 2049.8	2 1/4 57.2	20	1 1/4 M30	36.9	30.00 762.0	3168 1440
30	29.25 743.0	29.65 753.1	38.75 984.3	2.94 74.7	36.00 914.4	1.38 35.1	33.75 857.3	24.00 609.6	36.00 914.4	133.20 3383.3	102.70 2608.6	2 1/2 63.5	28	1 1/4 M30	46.7	36.00 914.4	5184 2356

Rev. 1

The information presented on this sheet is correct at the time of publication. Milwaukee Valve reserves the right to change design, and/or material specifications without notice. For the most current information access www.milwaukeevalve.com

