

BA-350TE/350STE

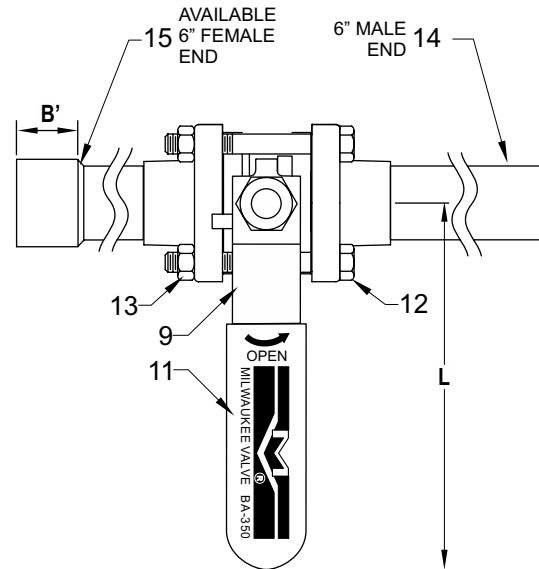
1/2"-2"

**BRONZE BALL VALVE
THREE-PIECE, FULL-PORT
600 WOG / 150 SWP
EXTENDED TUBE ENDS
INLINE REPAIRABLE***

MSS SP-110

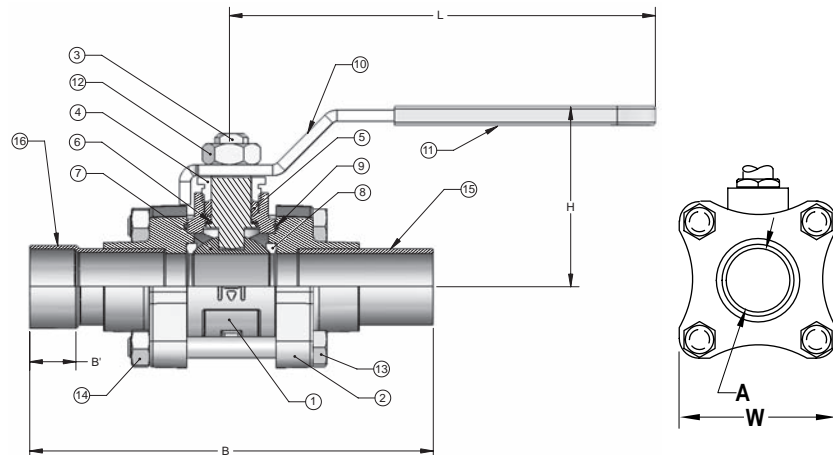
MATERIAL LIST

ITEM	PART	MODEL	MATERIALS	ASTM SPEC.
1	Body	BA350 & 350S	Bronze	B584
2	End Cap	BA350 & 350S	Bronze	B584
3	Stem	BA350	Brass	B16
		BA350 & 350S	316 Stainless Steel	B276
4	Packing nut	BA350 & 350S	Brass	B16
5	Packing	BA350 & 350S	PTFE	
6	Thrust Washer	BA350 & 350S	RPTFE with 25% Glass	
7	Ball	BA350	Chrome plated Brass	B16
		BA350S	316 Stainless Steel	B276
8	Seat	BA350 & 350S	RPTFE with 15% Glass	
9	O-ring	BA350 & 350S	Viton®	
10	Handle	BA350 & 350S	Steel w Zinc plating	Commercial
11	Handle Grip	BA350 & 350S	Vinyl	
12	Handle Nut	BA350 & 350S	Steel w Zinc plating	Commercial
13	Bolt	BA350 & 350S	Steel w Zinc plating (Gr-8)	Commercial
14	Nut	BA350 & 350S	Steel w Zinc plating (Gr-8)	Commercial
15	Stub End, 6" M	BA350 & 350S	Copper Tube, Type "K"	
16	Stub End, 6" F	BA350 & 350S	Copper Tube, Type "L"	



(1) Ball and stem are stainless for 350STE

Pressure temperature charts contain valve seat and body ratings for standard valves. Solder end valves are de-rated by the limitations of the joint as specified in ASME 16.18. Brazing installations can be likewise derated. Consult ASME 16.18 and the American Welding Society for the actual joint ratings of the material being used for the specific application. Pressure and Temperature ratings may be further derated in accordance with the pressure rating associated with the type of copper tube used for the stub end. Call the factory for accurate application data.



DIMENSIONS

	UNITS	1/2"	3/4"	1"	1-1/4"	1-1/2"	2"
		DN15	DN20	DN25	DN32	DN40	DN50
A (DIA)	INCHES	0.5	0.75	1	1.25	1.5	2
	mm	13	19	25	32	38	51
B	INCHES	13.86	13.92	14.03	14.79	15.05	15.4
	mm	352	354	356	376	382	391
B'	INCHES	0.51	0.76	0.92	0.98	1.1	1.35
	mm	13	19	23	25	28	34
H	INCHES	1.95	2.26	2.44	2.8	3.12	3.58
	mm	50	57	62	71	79	91
L	INCHES	3.88	4.75	4.75	6.5	7.38	7.38
	mm	99	121	121	165	187	187
W	INCHES	1.91	2.19	2.46	2.98	2.98	4
	mm	49	56	62	76	76	102
Cv		17	31	60	110	185	360

Available Options

- Male Tube Ends - Type "K" (Standard)
- Female Tube Ends - Type "L" (-F)
- Cleaned For Oxygen Service In Accordance With NFPA 99 (-OC)
- Stainless-Steel Ball And Stem (-S)
- Stainless-Steel Locking Lever (-LD)
- Oval Handle (-OH)
- Oval Locking Handle (-LO)
- Stem Extension (-XH)
- Stainless-Steel Lever Handle (-SH)
- Gauge Ports

NOTE: DN(Diameter Nominal)=Metric equivalent size.

Valves are shipped with lever handles installed; T Handles are included in the kit for short installations where the lever may not go.

Pressure curve based on gasket material, gasket is supplied with pump, varied material and limits.

* Designed for soft solder or brazed installation without disassembly.

Rev.3

The information presented on this sheet is correct at the time of publication. Milwaukee Valve reserves the right to change design, and/or material specifications without notice. For the most current information access www.milwaukeevalve.com

