

BA-500/BA-550

3/4" - 1 1/4"

BRASS FLANGE BALL VALVE
TWO PIECE, FULL PORT
600 WOG / 150 SWP
SOLD IN PKG OF 2
KIT INCLUDES 4 BOLTS & NUTS, PLUS T HANDLE (1)
BA-500 THREADED / BA-550 SWEAT

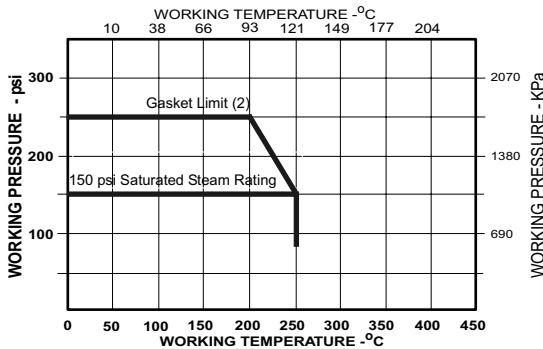


**Designed to Fit
 Standard and High
 Velocity Pumps**

MATERIALS LIST

PART	MATERIALS	ASTM SPEC.
Body	Brass, Forged	B283
Tailpiece	Brass, Forged	B283
Ball	Brass w/ nickel chrome plating	B283
Ball seal	PTFE	Commercial
Stem	Brass	B124
O-Ring	Buna-N	D2006
Thrustwasher	PTFE	Commercial
Gland nut	Brass	B124
Packing	PTFE	Commercial
Handle	Steel w/zinc plating	Commercial
Handle nut	Steel w/zinc plating	Commercial

PRESSURE - TEMPERATURE CHART

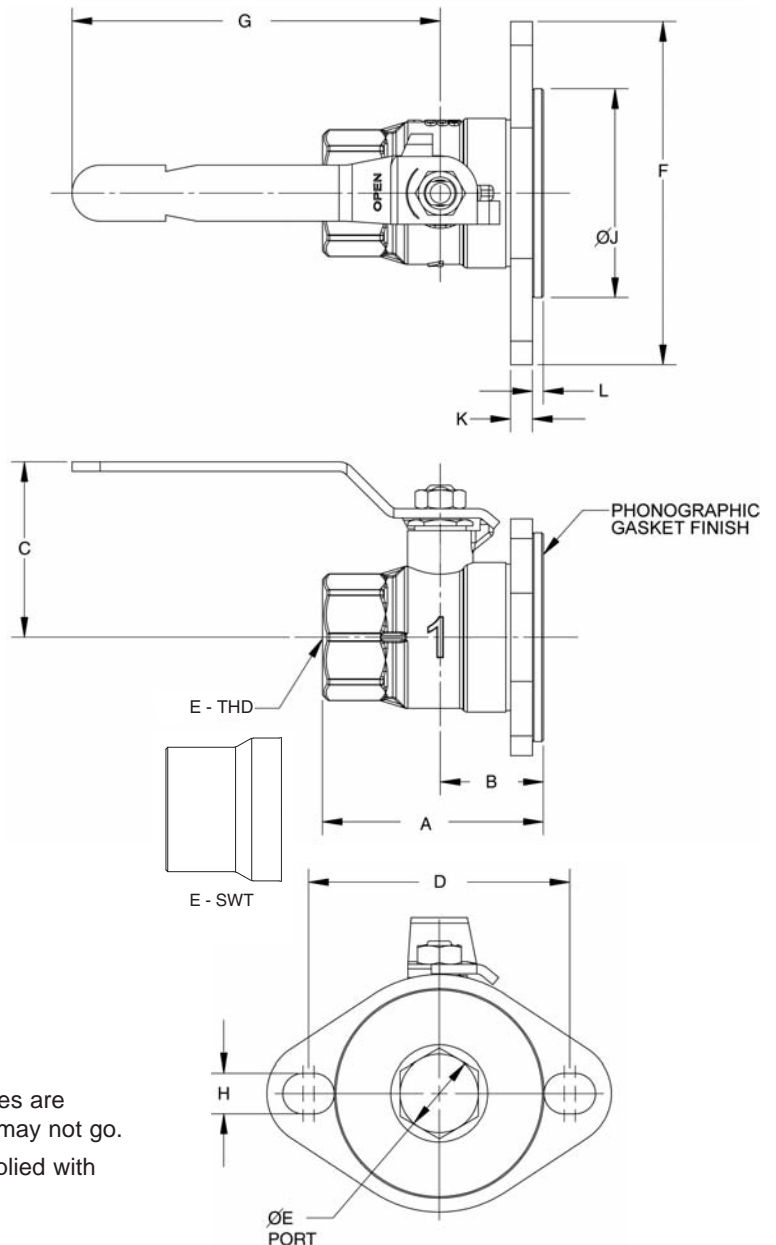


DIMENSIONS

	UNITS	3/4" DN20	1" DN25	1-1/4" DN32
A	INCH	2.50	2.81	2.99
O.V.L./THD	mm	64	71	76
A	INCH	2.69	3.13	3.38
O.V.L./SWT	mm	68	80	86
B	INCH	1.24	1.32	1.32
	mm	31	34	34
C	INCH	1.95	2.12	2.31
	mm	50	54	59
D	INCH	3.29	3.29	3.29
	mm	84	84	84
E	INCH	0.75	1.00	1.25
PORT DIA.	mm	19	25	32
F	INCH	4.33	4.33	4.33
FLANGE DIA.	mm	110	110	110
G	INCH	4.72	4.72	4.72
	mm	120	120	120
H	INCH	0.51	0.51	0.51
MTG. HOLE	mm	13	13	13
J	INCH	2.67	2.67	2.67
	mm	68	68	68
K	INCH	0.28	0.28	0.28
	mm	7	7	7
L	INCH	0.14	0.14	0.14
	mm	4	4	4

Rev. 2

1. Valves are shipped with lever handles installed; T Handles are included in the kit for short installations where the lever may not go.
2. Pressure curve based on gasket material, gasket is supplied with pump, varied material and limits.



The information presented on this sheet is correct at the time of publication. Milwaukee Valve reserves the right to change design, and/or material specifications without notice. For the most current information access www.milwaukeevalve.com

