

# GATE P900

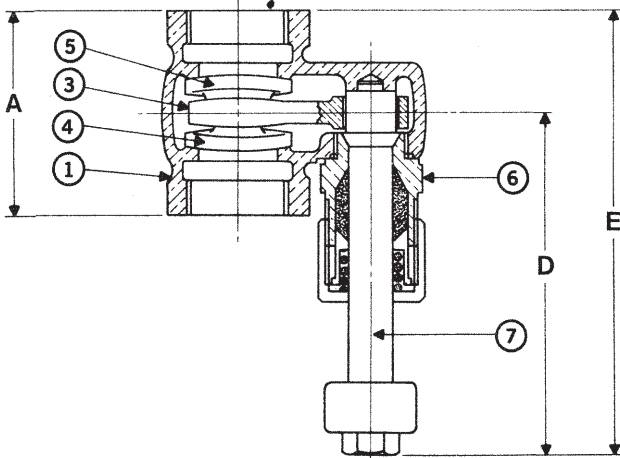
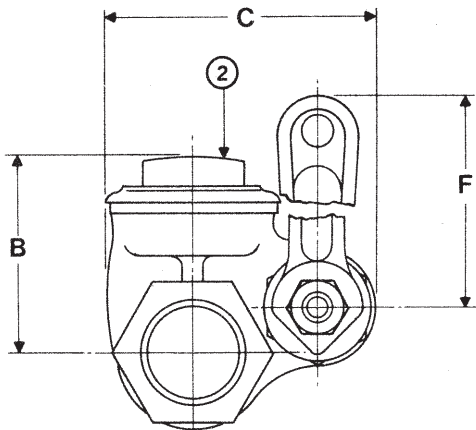
## BRONZE - QUICK OPENING

150 lb. SWP-300 lb. WOG† • Lever Operated  
Double Disc • Gland Packed • Threaded Ends

4" size has O-ring stem seal and a bolted flanged cap (not shown)

### MATERIAL LIST

NO.	PART	MATERIAL	SPECIFICATION
1	Body	Bronze	ASTM B 62
2	Cap	Bronze	ASTM B 62
3	Lever	Bronze	ASTM B 62
4	Male Disc	Brass	ASTM B 16
5	Female Disc	Brass	ASTM B 16
6	Bonnet (Center Piece)	Bronze	ASTM B 62
7	Stem	Brass	ASTM B 16
8	Gland	Brass	ASTM B 16
9	Packing Nut	Bronze	ASTM B 62
10	Lever Handle	Malleable Iron	
11	Packing	Graphite	
12	Handle Nut	Steel	
13	Gland Spring	Steel	



DIMENSIONS - INCHES / MILLIMETERS							
Units	Size	A	B	C	D	E	F
Inches	1	2.50	2.38	3.38	3.75	5.00	7.00
mm	25.4	63.5	60.3	85.7	95.3	127.0	177.8
Inches	1 1/4	2.88	2.81	3.84	3.69	5.13	8.19
mm	31.8	73.0	71.5	97.6	93.7	130.2	208.0
Inches	1 1/2	3.19	3.25	4.34	4.13	5.75	10.50
mm	38.1	81.0	82.6	110.3	104.8	146.1	266.7
Inches	2	3.75	4.13	5.31	4.50	6.38	10.50
mm	50.8	95.3	104.8	135.0	114.3	161.9	266.7
Inches	2 1/2	4.25	4.50	5.94	4.88	7.00	11.50
mm	63.5	108.0	114.3	150.8	123.9	177.8	292.1
Inches	3	4.75	5.63	7.00	5.00	7.38	11.50
mm	76.2	120.7	142.9	177.8	127.0	187.4	292.1

† Non-Shock

Rev. 6

**INNOVATION** IN EVERY VALVE



**MILWAUKEE VALVE**

www.milwaukeevalve.com

The information presented on this sheet is correct at the time of publication. Milwaukee Valve reserves the right to change design, and/or material specifications without notice. For the Installation, Operation and Maintenance Manual (IOM) see the engineering section on our website. For the most current information access [www.milwaukeevalve.com](http://www.milwaukeevalve.com)

Printed on recycled paper with soy ink. 05/05