



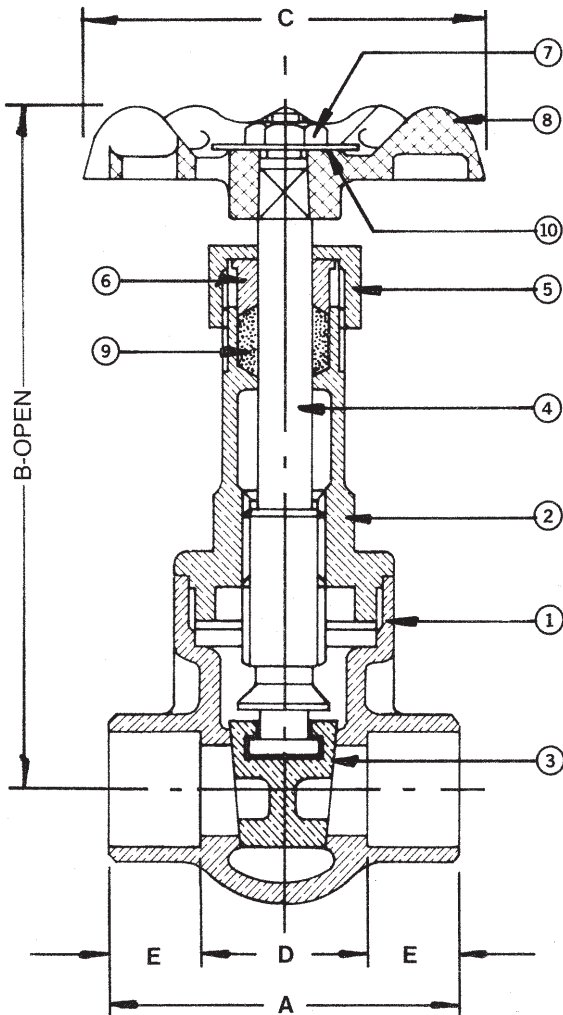
**300 lb. WOG†
Potable Water Service
Solid Wedge Disc • Rising Stem
Threaded Bonnet
Gland Packed
Solder Ends**

GATE UP149 BRONZE

Dimensions and Workmanship Conform to MSS SP-80
Designed in accordance with the requirements of California AB 1953
and Vermont S 152



WQA tested and Certified against WQA ORD0902 for California "lead free" compliance.



DIMENSIONS - INCHES / MILLIMETERS							
Units	Size	A	B	C	D	E	C _v
Inches	1/2	1.88	4.31	2.00	0.88	0.50	10.7
mm	12.70	47.63	109.55	50.80	22.23	12.70	
Inches	3/4	2.50	6.25	2.50	1.00	0.75	17.6
mm	19.05	63.50	158.75	63.50	25.40	19.05	
Inches	1	3.00	7.00	2.75	1.19	0.91	32.0
mm	25.40	76.20	177.80	69.85	30.18	23.01	
Inches	1 1/4	3.25	8.63	3.13	1.31	0.97	54.0
mm	31.75	82.55	219.08	79.38	33.35	24.61	
Inches	1 1/2	3.63	9.50	3.50	1.44	1.09	97.0
mm	38.10	92.08	241.30	88.90	36.53	27.79	
Inches	2	4.31	11.50	3.75	1.63	1.34	135.0
mm	50.80	109.55	292.10	95.25	41.28	34.13	

† Non-Shock

MATERIAL LIST

NO.	PART	MATERIAL	SPECIFICATION
1	Body	Bronze	ASTM B584 C89833
2	Bonnet	Bronze	ASTM B584 C89833
3	Wedge	Bronze	ASTM B584 C89833
4	Stem	Bronze	C89833
5	Stuff Nut	Brass	ASTM B283 C37700
6	Gland ¹	Brass	ASTM B283 C37700
7	Wheel Nut	Brass	Commercial
8	Handwheel	Mall. Iron	Commercial
9	Packing	Graphite	Commercial
10	Name Plate	Sh. Alum	Commercial

¹ Not Used of 1/2" and Smaller

Rev 3

Milwaukee Valve Company
16550 W. Stratton Drive
New Berlin, WI 53151
Phone: 262-432-2700
Fax: 262-432-2701

Note: Lead free refers to the wetted surface of the pipe, fittings and fixtures in potable water systems that have a weighted average lead content 0.25%. Source: California Health and Safety Code (116875).

The information presented on this sheet is correct at the time of publication. Milwaukee Valve reserves the right to change design, and/or material specifications without notice. For the Installation, Operation and Maintenance Manual (IOM) see the engineering section on our website. For the most current information access www.milwaukeevalve.com

