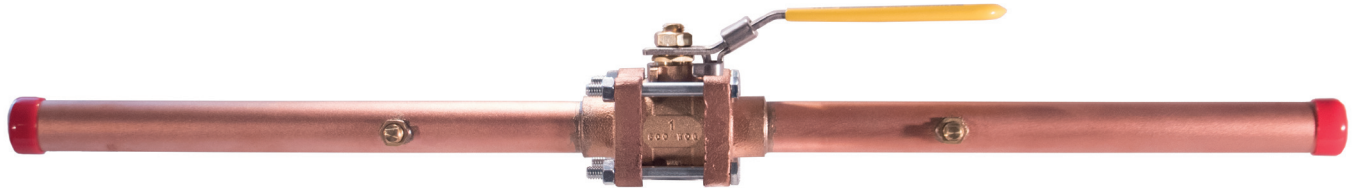
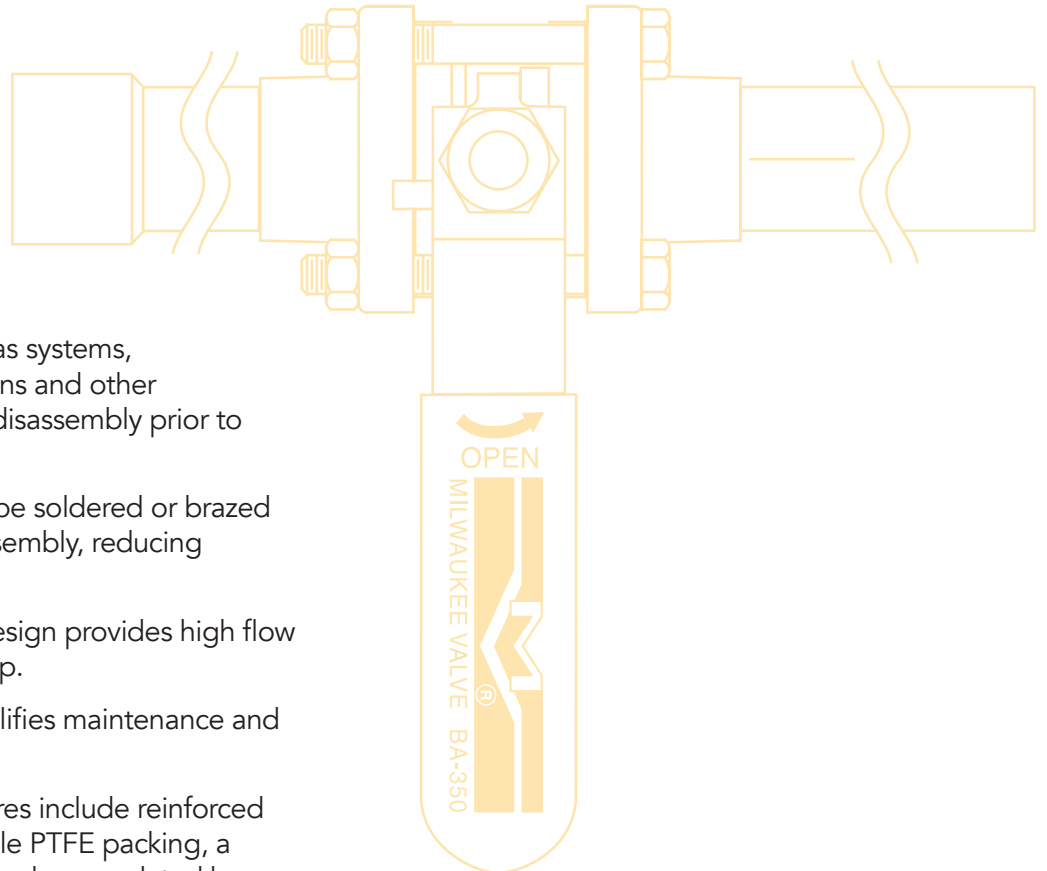


# BA-350 Series (Medical Gas Service) 3-Piece Bronze Ball Valve With Extended Copper-Tube Ends



**MSS SP-110**  
**3-Piece, Full-Port, Bronze Ball Valve**  
**600 WOG**  
**Extended-Tube Ends**  
**Inline Repairable**



- Ideal for use in medical gas systems, pharmaceutical applications and other applications where valve disassembly prior to installation is undesirable.
- Extended-tube ends can be soldered or brazed into service without disassembly, reducing installation time.
- Full-port (1/2" - 2 1/2") design provides high flow with minimal pressure drop.
- 3-piece construction simplifies maintenance and repair.
- Additional standard features include reinforced RPTFE seats and adjustable PTFE packing, a blow-out proof stem and a chrome-plated brass ball.
- Sizes range from 1/2" - 3" (3" standard port).

**INNOVATION** IN EVERY VALVE

[www.MilwaukeeValve.com](http://www.MilwaukeeValve.com)

Rev 09/18



**MILWAUKEE VALVE**

# BA-350 Series

## Specifications:

Approved valves shall be Milwaukee Valve BA-350 Series. Valves shall meet or exceed the requirements of MSS SP-110. Valves shall be 3-piece, bronze body, full-port design (1/2" - 2 1/2") 3" standard port and include flexible RPTFE seats and adjustable PTFE packing. Valves shall have a blow-out-proof stem. Valves shall be provided from the factory with Type "K" Male or Female or Type "L" Female end copper-tube extensions. When required, the valves shall be factory cleaned for oxygen service in conformance with MVES 60-02, NFPA 99C CSA-41. Each cleaned valve shall include protective caps on the copper-tube ends, and be sealed in protective bags to prevent contamination prior to installation.

## BA-350 Series Medical Gas Valve Configurator

Series	Trim Material	End Connection	End Style	Gauge Ports	Handle Option	OC
BA-350	Blank - Brass	TE - Tube End	Blank - Male	Blank -None	Blank -Std	Oxygen Cleaned
	S- Stainless		F - Female	G -1 Port	LD - Locking Lever	
				2G - 2 Port		

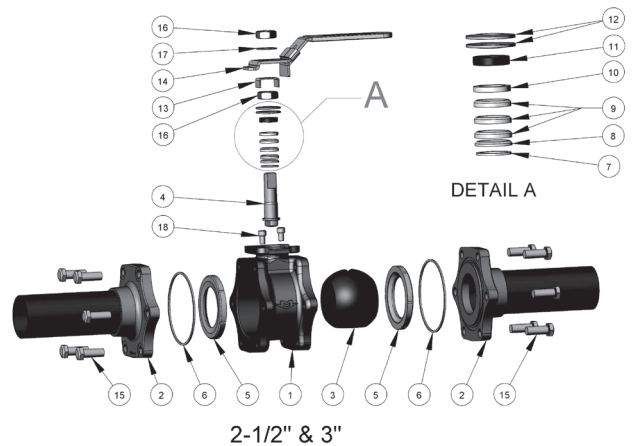
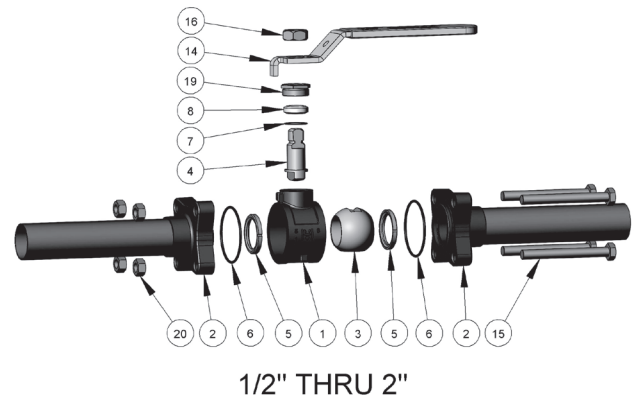
Example: BA-350S-TE-F-G-LD-OC Stainless Steel trim, female ends, one gauge port, locking handle cleaned for oxygen

# BA-350 Series

Material List			
	Part	Materials	ASTM Spec.
1	Body	Bronze	B584
2	Sil Brazed Tube	Bronze, Copper Tube	-
3	Ball	Chrome Plated Brass	B16
		316 Stainless Steel	A276
4	Stem	Brass	B16
		316 Stainless Steel	A276
5	Seat	15% Glass RPTFE	-
6	O-Ring	Viton	MIL-R-83248
7	Washer, Thrust	25% Glass RPTFE	-
8	Packing, Male	PTFE	-
	Packing "V"	PTFE	-
9	Packing, Female	PTFE	-
10	Packing Follower	Brass	B16
11	Washer, Belleville	17-7 PH S.S.	Commercial
12	Nut Locker	S.S. 301	Commercial
13	Handle Assy	Stainless Steel	A276
14	Hex Head Cap Screw	SAE, Grade 8	Commercial
15	Nut, Jam	Steel, Zinc Plating	Commercial
16	Washer, Internal Tooth	Stainless Steel	Commercial
17	Socket Head Cap Screw	Commercial Carbon Steel	Zinc Plated
18	Gland Nut	Brass	B16
19	Hex Nut	Commercial	SAE 5140

\*Not intended for use in potable water.

Pressure temperature charts containing valve seat and body ratings are available from the factory. Please contact the factory for accurate application data.

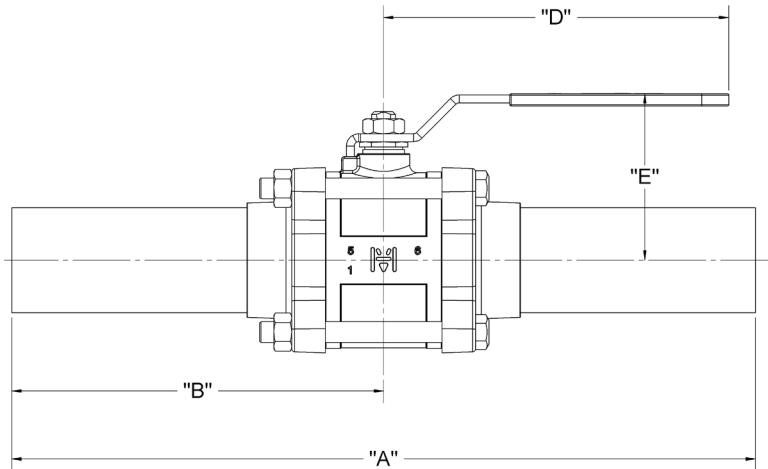


## Available Options

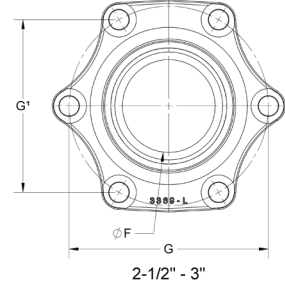
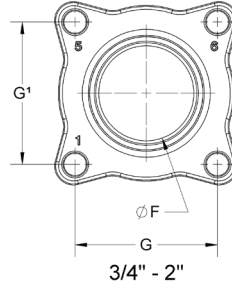
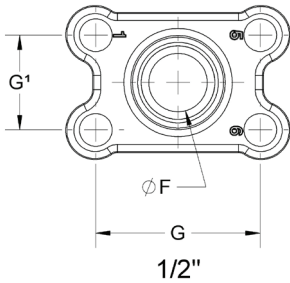
- Male Tube Ends - Type "K" (Standard)
- Female Tube Ends - Type "L" (-F) or Type "K" (-K) Cleaned For Oxygen Service In Accordance With NFPA 99C CSA-41 (-OC)
- Stainless-Steel Ball and Stem (-S)
- Stainless-Steel Locking Lever (-LD)
- Oval Handle (-OH)
- Oval Locking Handle (-LO)
- Stem Extension (-XH)
- Insulator/MS Handle (-TIH)
- Gauge Port (-G)
- Two Gauge Ports (-2G)

# BA-350TE/350STE\* 1/2" - 3"

\*Not intended for use in potable water.



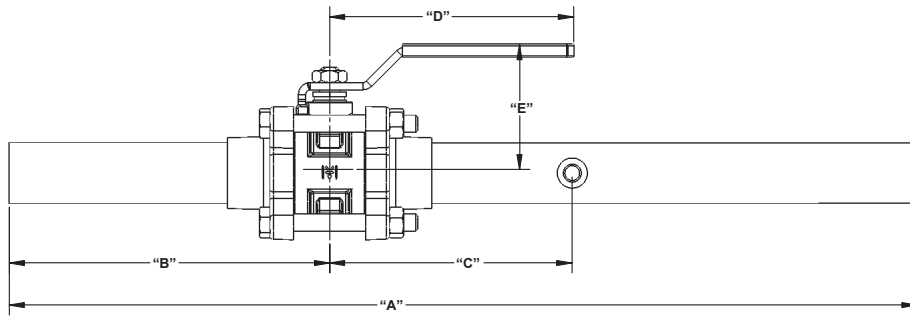
**Bronze Ball Valve**  
**Three Piece**  
**Full Port**  
**600 WOG**  
**Extended Tube Ends**  
**Inline Repairable**  
**Blow-Out Proof Stem**  
**MSS SP-110**



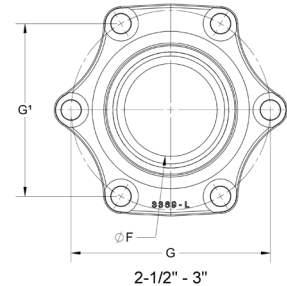
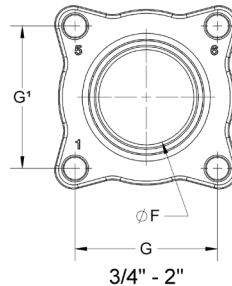
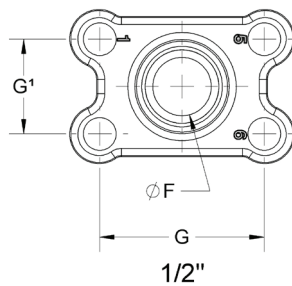
Dimensions									
	Units	1/2"	3/4"	1"	1-1/4"	1-1/2"	2"	2-1/2"	3"
A	INCHES	13.86	13.92	14.09	14.82	15.12	15.46	19.00	19.00
	mm	352	354	358	377	384	393	483	483
B	INCHES	6.93	6.96	7.04	7.41	7.56	7.73	9.50	9.50
	mm	176	177	179	188	192	196	241	241
D	INCHES	3.75	4.50	6.25	6.25	6.25	7.13	8.00	8.00
	mm	95	114	159	159	159	181	203	203
E	INCHES	1.85	2.20	2.65	2.79	2.97	3.47	5.44	5.44
	mm	47	56	67	71	75	88	138	138
ØF	INCHES	0.50	0.75	1.00	1.25	1.50	2.00	2.50	2.50
	mm	13	19	25	32	38	51	64	64
G	INCHES	1.41	1.51	1.80	2.16	2.38	3.00	5.38	5.38
	mm	36	38	46	55	60	76	137	137
G <sup>1</sup>	INCHES	0.81	1.51	1.80	2.16	2.38	3.00	4.66	4.66
	mm	21	38	46	55	60	76	118	118

# BA-350TE-G/350STE-G\* 1/2" - 3"

\*Not intended for use in potable water.



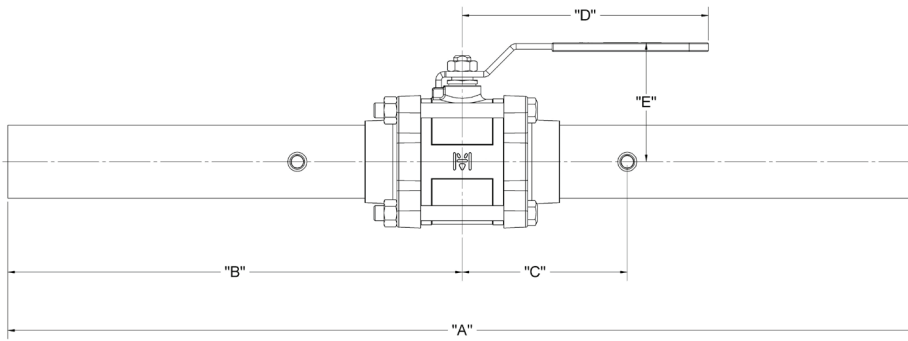
**Bronze Ball Valve  
Three Piece  
Full Port  
600 WOG  
Extended Tube Ends with 1/8" NPT  
Gauge Port  
Inline Repairable  
Blow-Out Proof Stem  
MSS SP-110**



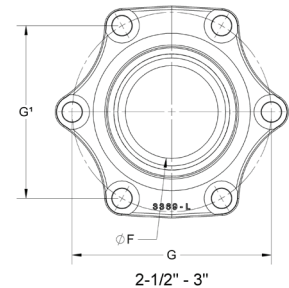
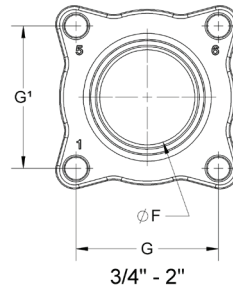
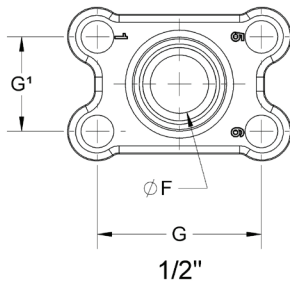
		Dimensions							
	Units	1/2"	3/4"	1"	1-1/4"	1-1/2"	2"	2-1/2"	3"
		DN15	DN20	DN25	DN32	DN40	DN50	DN65	DN75
A	INCHES	21.00	21.00	21.00	21.00	21.00	21.00	24.25	24.25
	mm	533	533	533	533	533	533	616	616
B	INCHES	6.93	6.96	7.04	7.43	7.56	7.73	9.50	9.50
	mm	176	177	179	189	192	196	241	241
C	INCHES	6.46	6.11	5.82	5.44	5.23	4.79	4.25	4.25
	mm	164	155	148	138	133	122	108	108
D	INCHES	3.75	4.50	6.25	6.25	6.25	7.13	8.00	8.00
	mm	95	114	159	159	159	181	203	203
E	INCHES	1.85	2.20	2.65	2.79	2.97	3.47	5.44	5.44
	mm	7	56	67	71	75	88	138	138
ØF	INCHES	0.50	0.75	1.00	1.25	1.50	2.00	2.50	2.50
	mm	13	19	25	31	38	51	64	64
G	INCHES	1.41	1.51	1.80	2.16	2.38	3.00	5.38	5.38
	mm	36	38	46	55	60	76	137	137
G1	INCHES	0.81	1.51	1.80	2.16	2.38	3.00	4.66	4.66
	mm	21	38	46	55	60	76	118	118

# BA-350TE-2G/350STE-2G\* 1/2" - 3"

\*Not intended for use in potable water.



**Bronze Ball Valve**  
**Three Piece**  
**Full Port**  
**600 WOG**  
**Extended Tube Ends with 1/8" NPT**  
**Two Gauge Ports**  
**Inline Repairable**  
**Blow-Out Proof Stem**  
**MSS SP-110**



## Dimensions

	Units	1/2"	3/4"	1"	1-1/4"	1-1/2"	2"	2-1/2"	3"
		DN15	DN20	DN25	DN32	DN40	DN50	DN65	DN75
A	INCHES	28.14	27.96	27.90	27.12	26.90	26.54	29.50	29.50
	mm	715	710	709	689	683	674	749	749
B	INCHES	14.07	13.98	13.95	13.56	13.45	13.27	14.75	14.75
	mm	357	355	354	344	342	337	375	375
C	INCHES	6.46	6.11	5.82	5.44	5.23	4.79	4.25	4.25
	mm	164	155	148	138	133	122	108	108
D	INCHES	3.75	4.50	6.25	6.25	6.25	7.13	8.00	8.00
	mm	95	114	159	159	159	181	203	203
E	INCHES	1.85	2.20	2.65	2.79	2.97	3.47	5.44	5.44
	mm	47	56	67	71	75	88	138	138
ØF	INCHES	0.50	0.75	1.00	1.25	1.50	2.00	2.50	2.50
	mm	13	19	25	32	38	51	64	64
G	INCHES	1.41	1.51	1.80	2.16	2.38	3.00	5.38	5.38
	mm	36	38	46	55	60	76	137	137
G <sup>1</sup>	INCHES	0.81	1.51	1.80	2.16	2.38	3.00	4.66	4.66
	mm	21	38	46	55	60	76	118	118