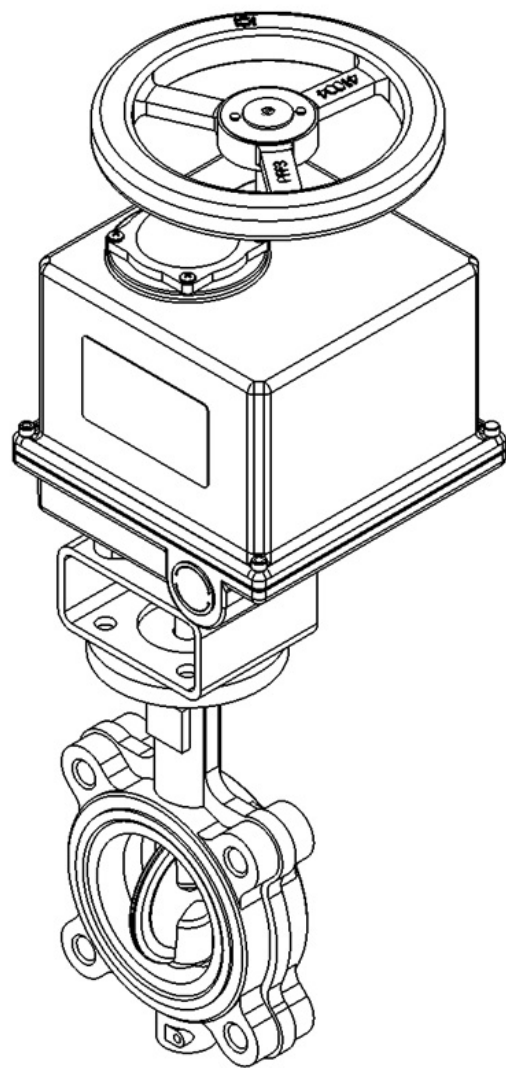


August 9, 2023

When It Comes To Actuation, Milwaukee Valve Has You Covered.



After valves, actuation is the next step in sophistication when it comes to process piping applications, and for more than 25 years, Milwaukee Valve has offered electrical and pneumatic packages for actuating valves in process-piping systems.

A complete line of actuators & complementing controls is available for almost any Milwaukee Valve product, even those with rising stems. Pneumatic actuation is available in double-acting and spring-return styles with a wide range of torque outputs.

Electric actuators are available as internal or external motor drives with various voltages & motor options. Other option packages are also available, including NEMA 4, 7 and 9 housings, linkage kits, positioners and limit switches.

For more information, visit the [Actuation section](#) of the Milwaukee Valve website, contact your [Milwaukee Valve sales representative](#) or contact the factory.



MILWAUKEE VALVE

www.milwaukeevalve.com
262.432.2700



HAMMOND VALVE

www.hammondvalve.com
262.432.2702



www.milwaukeevalve.com
262.432.2700

16550 West Stratton Drive, New Berlin, WI 53151

