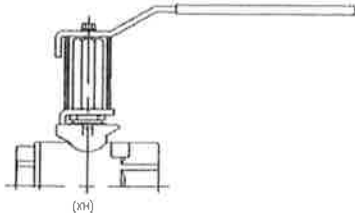
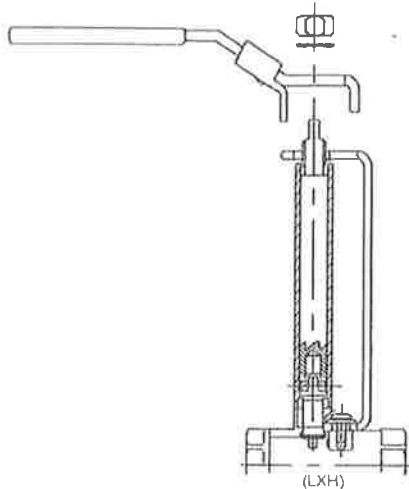


OPTIONS

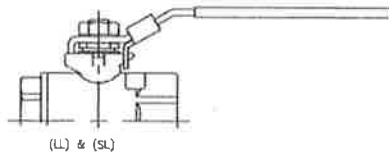
20-30 Series Handle Options



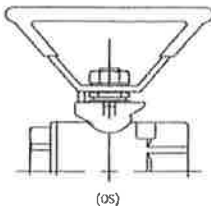
XH: The XH stem extension provides a 2" rise for clearance of the handle for operation when insulation on the piping system is required.



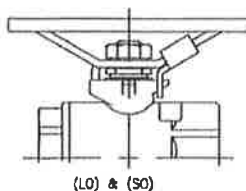
LXH: The LXH stem extension takes all the features and benefits of our tamper-proof locking handles and moves them to the top of the extension (4 1/2") for insulation use.



LL-SL: The LL and SL (spring loaded) option provides safety lockout of the handle in both the open and closed position. The SL option provides a spring loaded latch lock for situations when the valve is installed in a position where the locking feature would disengage. The spring loaded latch provides engagement of the lock in these positions without a padlock installed.



OS: The OS option provides clearance when a standard lever may interfere with adjacent piping or prevent accidental operation with a standard lever or other safety requirement.



LO-SO: These optional handles provide the same features as the OS option but also offer the padlock and spring loaded lockout features.

The information presented on this sheet is correct at time of publication. Milwaukee Valve reserves the right to change design and/or materials without notice. For our Installation, Operation and Maintenance Manual and the most current product information go to www.milwaukeevalve.com.
⚠ State of California Prop 65 **WARNING:** Cancer and Reproductive Harm. For more information visit www.p65warnings.ca.gov.

