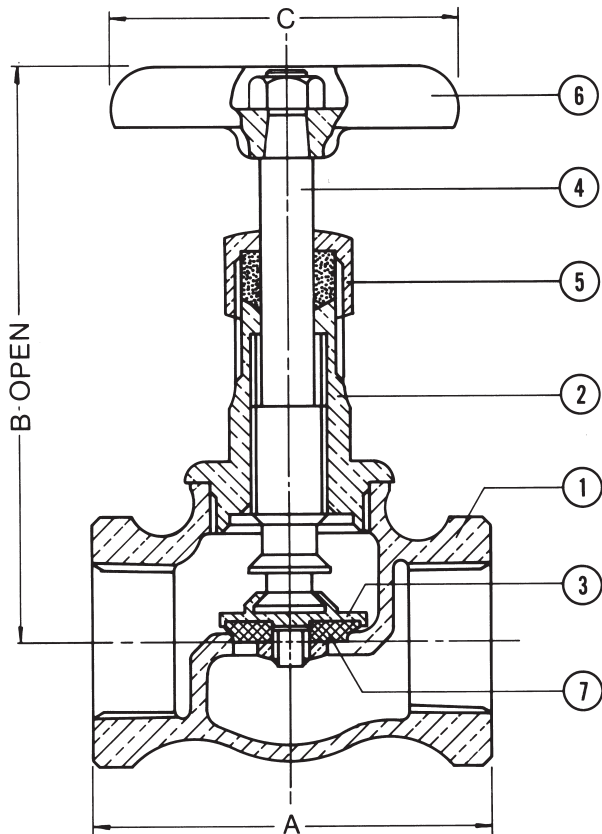


# BRONZE GLOBE VALVES

200 Lb. WOG • Threaded Ends



## 505-001

The bronze body globe valves with a Teflon Disc are suitable for water, globe, transformer coolant, oil and gas, hot or cold applications including steam. The large port minimizes flow resistance. Available in 1/2", 3/4", 1", 1 1/2", 2".

### MATERIAL LIST

| NO. | DESCRIPTION | MATERIAL & SPECIFICATION |
|-----|-------------|--------------------------|
| 1   | Body        | Bronze                   |
| 2   | Bonnet      | Bronze                   |
| 3   | Disc Holder | Brass                    |
| 4   | Stem        | Brass                    |
| 5   | Stuff Nut   | Brass                    |
| 6   | Handwheel   | Bronze                   |
| 7   | Disc        | Teflon                   |

### DIMENSIONS - INCHES

| DIM. | VALVE SIZE |        |         |         |        |
|------|------------|--------|---------|---------|--------|
|      | 1/2        | 3/4    | 1       | 1 1/2   | 2      |
| A    | 2 5/16     | 2 9/16 | 2 15/16 | 3 11/16 | 4 7/16 |
| B    | 3 5/8      | 3 5/16 | 4 3/8   | 5 3/4   | 6 3/4  |
| C    | 2 1/8      | 2 3/4  | 2 3/4   | 3 3/4   | 4      |

The information presented on this sheet is correct at the time of publication. Milwaukee Valve reserves the right to change design, and/or material specifications without notice. For the most current information access [www.milwaukeevalve.com](http://www.milwaukeevalve.com)

