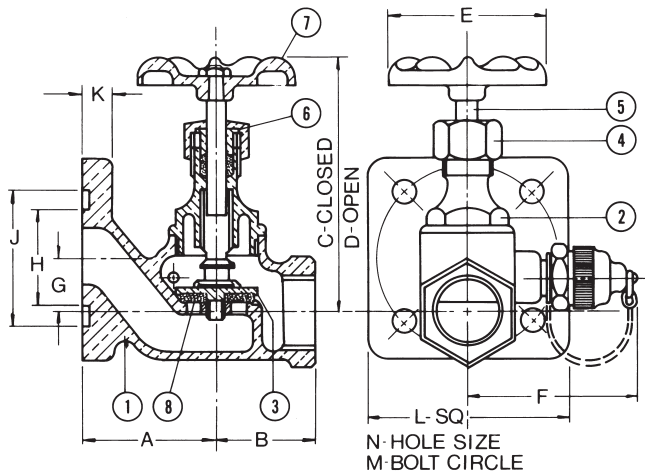


BRONZE GLOBE SAMPLER

Offset Flange Inlet • Threaded Outlet
300 Lb. WOG



506-201

Flanged offset globe sampler valve (less sampling device).

Recommended for sampling or draining coolant from electrical apparatus. The body is offset below the flange to assure complete drainage. Body is heavy-duty bronze to protect against physical damage. Gasket groove in inlet flange is standard. Available in 1" and 2" sizes.

506-202

Same as 506-201 except with 84363-C sampling device.

506-203

Same as 506-201 except with 3/8" pipe plug in sampler boss.

NOTE: Also available with special flange holes.

MATERIAL LIST

NO.	DESCRIPTION	MATERIAL & SPECIFICATION
1	Body	Bronze
2	Bonnet	Bronze
3	Disc Holder	Brass
4	Stuff Nut	Brass
5	Stem	Brass
6	Gland	Brass
7	Handwheel	Bronze
8	Disc	Teflon

DIMENSIONS - INCHES

DIM.	SIZE		DIM.	SIZE		DIM.	SIZE	
	1	2		1	2		1	2
A	2 5/16	3 5/8	F	3 5/16	3 5/16	L	3 7/16	4 5/8
B	1 11/16	2 1/2	G	15/16	1 11/32	M	3 1/8	4 3/4
C	4 3/8	6 5/8	H	1 5/8	2 3/4	N	7/16	3/4
D	4 13/16	7 7/16	J	2 3/8	3 1/2			
E	2 3/4	4 1/4	K	1/2	11/16			

The information presented on this sheet is correct at the time of publication. Milwaukee Valve reserves the right to change design, and/or material specifications without notice. For the most current information access www.milwaukeevalve.com

