

GG-SCS2 2 1/2"-10"



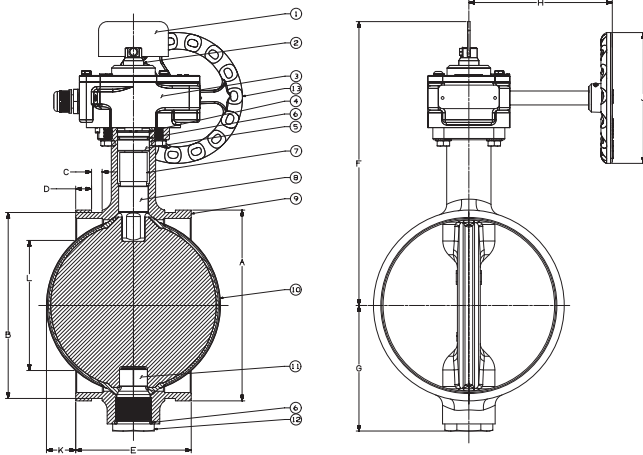
NSF/ANSI 61
NSF/ANSI 372

**Nylon Coated Ductile Iron Grooved End Butterfly, 300 psi
Grooved Mechanical Style
Extended Neck, Elastomer Encapsulated Disc
Accepts Internal Supervisory Switches
Grooved End Compatible with IPS Pipe
UL/FM Rating**



GG-SCS2

Grooved
2 1/2", 3", 4", 6", 8", 10"



DIMENSIONS

	VALVE SIZE						
	INCHES DN	2 1/2	3	4	6	8	10
A	INCHES	2.88	3.50	4.50	6.63	8.63	10.77
	mm	73	89	114	168	219	274
B	INCHES	2.72	3.34	4.33	6.45	8.44	10.55
	mm	69	85	110	164	214	268
C	INCHES	.31	.31	.38	.38	.44	.50
	mm	8	8	10	10	11	13
D	INCHES	.63	.63	.63	.63	.75	.75
	mm	16	16	16	16	19	19
E	INCHES	3.81	3.81	4.56	5.81	5.25	6.25
	mm	97	97	116	148	133	159
F	INCHES	8.95	9.16	10	11.92	12.85	15
	mm	227	233	254	303	326	381
G	INCHES	2.20	2.47	3.00	4.33	5.67	6.77
	mm	56	63	76.2	110	144	172
H	INCHES	4.92	4.92	4.92	6.48	6.48	8.74
	mm	125	125	125	165	165	222
J	INCHES	4.25	4.25	4.25	6	6	6
	mm	108	108	108	152	152	152
K	INCHES	-	-	-	-	1.32	1.74
	mm	-	-	-	-	34	44
L	INCHES	-	-	-	-	5.87	7.44
	mm	-	-	-	-	149	189

MATERIALS LIST

ITEM	PART	MATERIALS	MATERIALS
1	INDICATOR FLAG	PAINTED STEEL	-
2	STEM ADAPTER	STEEL	-
3	GEAR OPERATOR	CAST IRON AND STEEL	-
4	RETAINING RING	CARBON STEEL	-
5	CARTRIDGE SEAL	BRASS	ASTM C36000
6	STEM STEALS	EPDM	-
7	UPPER STEM	STAINLESS STEEL	ASTM A582 TYPE 416
8	UPPER BUSHING	PLATED STEEL WITH PTFE LINING	-
9	BODY	DUCTILE IRON	ASTM A395 WITH POLYAMINDE COATING
10	DISC	DUCTILE IRON	ASTM A536 WITH EPDM ENCAPSULATION
11	LOWER BUSHING	STEEL WITH PTFE LINING	-
12	LOWER STEM	STAINLESS STEEL	ASTM A582 TYPE 416
13	HANDWHEEL	CAST IRON	-

The information presented on this sheet is correct at time of publication. Milwaukee Valve reserves the right to change design and/or materials without notice. For our Installation, Operation and Maintenance Manual and the most current product information go to www.milwaukeevalve.com.
⚠ State of California Prop 65 **WARNING:** Cancer and Reproductive Harm. For more information visit www.p65warnings.ca.gov.

