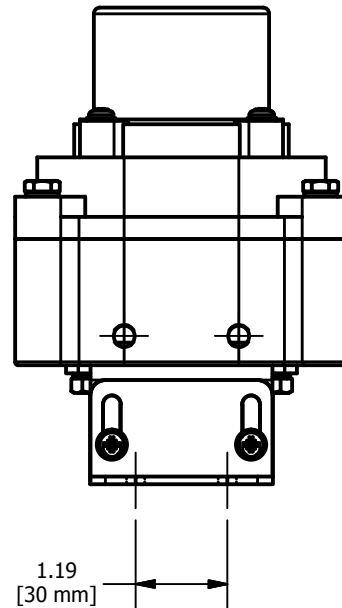
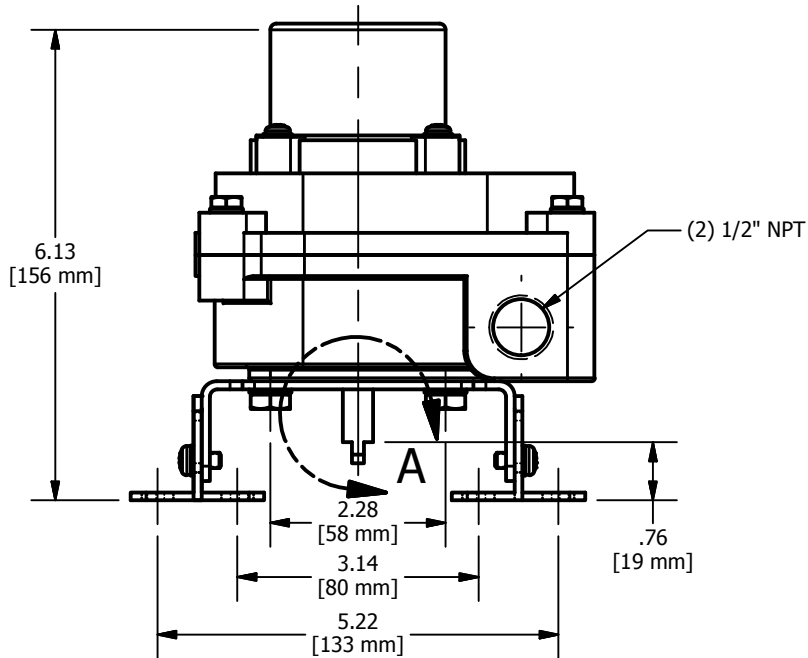
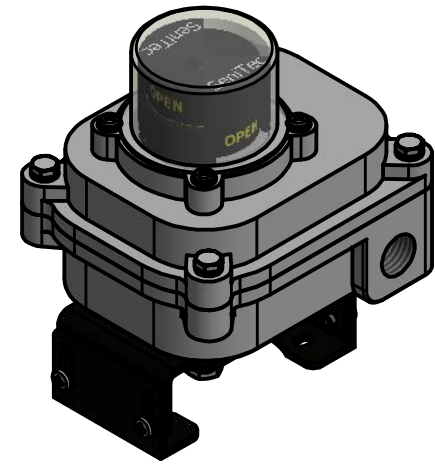


DETAIL A



BABAA211100	
Enclosure Type	Nema 4, 4X IP67
Switch Type	(2) SPDT Mechanical
Switch Voltage	125-250 VAC 15 AMP
Terminal Strip	8 Pole
Indicator	Black and Yellow
Universal Bracket	Namur Standard Included

DESCRIPTION
**Specification Sheet Unitorq B Series
 Switch Box Envelope and Mounting
 Dimensions**

NOTICE:
 THIS DRAWING INCLUDES THE DESIGN AND PRINCIPLES
 DISCLOSED AND IS THE SOLE PROPERTY OF UNITORQ AND
 ITS AFFILIATES. IT SUBMITTED WITH THE UNDERSTANDING
 THAT IT IS NOT TO BE REPRODUCED, NOR COPIED IN
 WHOLE OR IN PART, NOR LOANED OR OTHERWISE
 COMMUNICATED TO ANY THIRD PARTY, NOR USED IN ANY
 MANNER DETRIMENTAL TO THE INTERESTS OF UNITORQ
 OR ANY OF ITS AFFILIATES WITHOUT THE EXPRESSED
 WRITTEN CONSENT OF UNITORQ. ACCEPTANCE OF THIS
 DRAWING WILL BE CONSTRUED AS AN AGREEMENT TO THE
 ABOVE.



2150 Boggs Road, Suite 410
 DULUTH, GEORGIA U.S.A. 30096
 Ph: 770-446-7074
 Fax: 770-447-1825
 www.unitorq.com

PRODUCT:	PART NUMBER: BABAA211100	SALES DRAWING NUMBER: BABAA211100	DWN BY: AKUBE	DATE: 08/25/2017	SCALE: NTS	REV. 0
----------	------------------------------------	---	-------------------------	----------------------------	----------------------	------------------