



F-2882-MRW 2"-16"

F-2882-MRWSQ 2"-16"

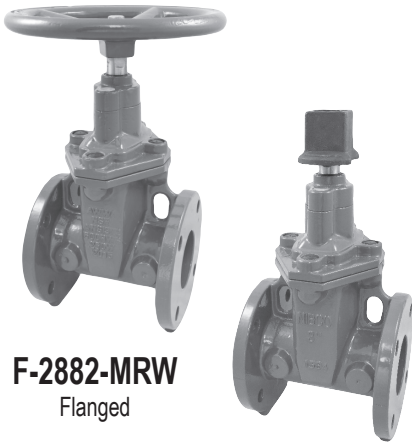


NSF/ANSI 61
NSF/ANSI 372

Iron Gate Valve for Potable Water
300 psi (2" - 12") 250 psi (14" - 16")
Non-Rising Stem • Resilient Wedge
Bolted Bonnet • Flanged Ends

300 PSI/20.6 Bar Non-Shock Cold Working Pressure

CERTIFIED LEAD-FREE* BY TRUESDAIL LABORATORIES TO NSF/ANSI 61 & 372

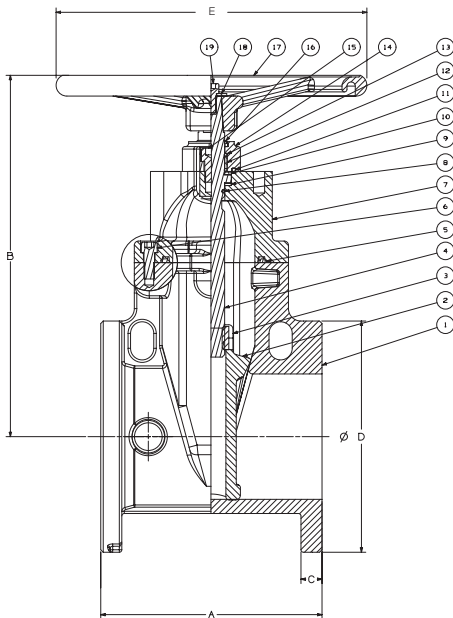


F-2882-MRW
Flanged

F-2882-MRWSQ
Flanged

MATERIAL LIST			
No.	PART	MATERIAL	SPECIFICATION
1	Valve Body	Ductile Iron	ASTM A536 65-45-12
2	Resilient Wedge	Ductile Iron	ASTM A536/EPDM ASTM D2000
3	Wedge Nut	Bronze	ASTM B584 UNS C83600
4	Stem	Stainless Steel 304	Commercial
5	Bonnet Gasket	EPDM	ASTM D2000
6	Bonnet Screw	Corrosion-resistant Steel	Commercial
7	Bonnet	Ductile Iron	ASTM A536
8	Stem Primary O-Ring	EPDM	ASTM D2000
9	Stem Thrust Washer (Lower)	Bronze	ASTM B584 UNS C83600
10	Stem Thrust Washer (Upper)	Stainless Steel	ASTM A276 UNS S41000
11	Gland Seal O-Ring	EPDM	ASTM D2000
12	Stem Seal Bushing	Bronze	ASTM B584 UNS C83600
13	Stem Secondary O-Ring	EPDM	ASTM D2000
14	Gland Flange	Ductile Iron	ASTM A536
15	Stem Ring Wiper	EPDM	ASTM D2000

Coating- Electrostatically applied fusion-bonded epoxy 8-20 mil. inside and outside meets or exceeds performance requirements of AWWA C550. Epoxy coating is not intended to serve as a dielectric barrier internal to the pipe system.



DIMENSIONS - INCHES/MILLIMETERS							
Units	Size	A	B	C	D	E	C _v
Inches	2	7.00	10.00	0.63	6.00	7.90	215
mm		178	255	16	152	200	
Inches	2 1/2	7.50	11.30	0.69	7.00	7.90	335
mm		190	287	18	178	200	
Inches	3	8.00	12.60	0.75	7.50	10.20	510
mm		203	321	19	191	260	
Inches	4	9.00	13.50	0.94	9.00	10.20	945
mm		229	344	24	229	260	
Inches	6	10.50	17.40	1.00	11.00	14.80	2250
mm		267	441	25	279	375	
Inches	8	11.50	20.80	1.13	13.50	14.80	4150
mm		292	529	29	343	375	
Inches	10	13.00	24.20	1.19	16.00	15.70	6700
mm		330	614	30	406	400	
Inches	12	14.00	27.60	1.25	19.00	19.70	9925
mm		356	700	32	483	500	
Inches	14	15.00	31.80	1.38	21.00	19.70	13800
mm		381	807	35	533	500	
Inches	16	16.00	34.41	1.46	23.50	19.70	18375
mm		406	869	37	597	500	

The information presented on this sheet is correct at time of publication. Milwaukee Valve reserves the right to change design and/or materials without notice. For our Installation, Operation and Maintenance Manual and the most current product information go to www.milwaukeevalve.com.
 ⚠ State of California Prop 65 **WARNING: Cancer and Reproductive Harm.** For more information visit www.p65warnings.ca.gov.

