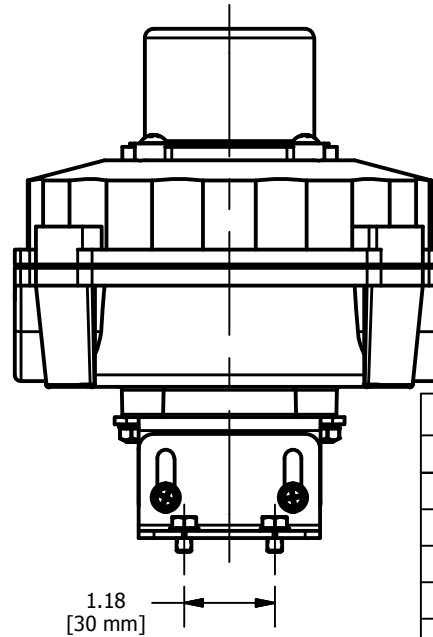
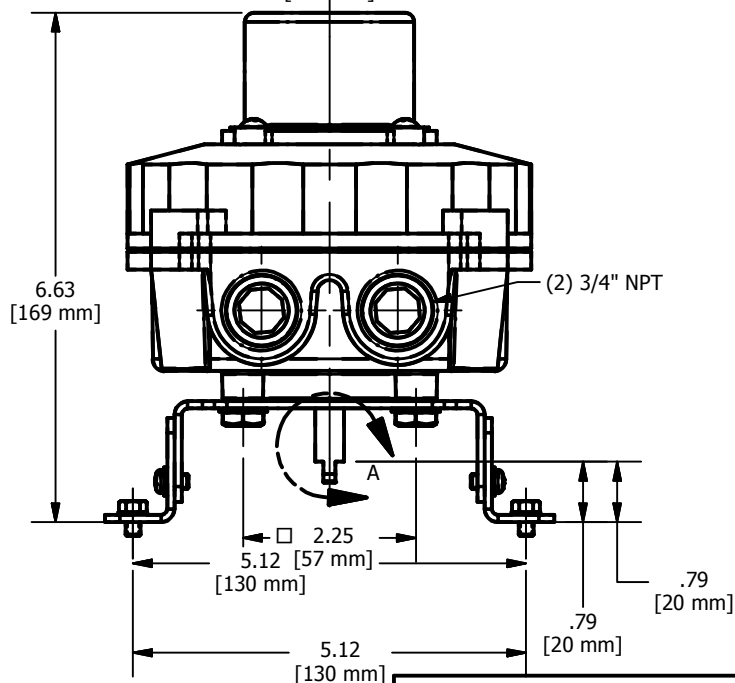
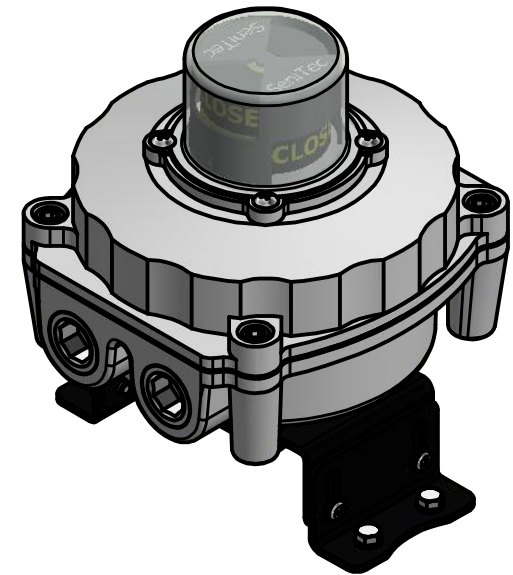


DETAIL A



LABAA211100	
Class I, Zone 1, AEx d IIC T6 Gb	
Enclosure Type	Ex d IIC T6 Gb
Switch Type	(2) SPDT Mechanical
Switch Voltage	125-250 VAC Rated 15 AMP
Terminal Strip	8 Pole
Indicator	Black and Yellow
Universal Bracket	Namur Standard Included

DESCRIPTION
 Specification Sheet
 Unitorq L Series Switch Box
 Envelope and Mounting
 Dimensions

NOTICE:
 THIS DRAWING INCLUDES THE DESIGN AND PRINCIPLES
 DISCLOSED AND IS THE SOLE PROPERTY OF UNITORQ AND
 ITS AFFILIATES. IT SUBMITTED WITH THE UNDERSTANDING
 THAT IT IS NOT TO BE REPRODUCED, NOR COPIED IN
 WHOLE OR IN PART, NOR LOANED OR OTHERWISE
 COMMUNICATED TO ANY THIRD PARTY, NOR USED IN ANY
 MANNER DETRIMENTAL TO THE INTERESTS OF UNITORQ
 OR ANY OF ITS AFFILIATES WITHOUT THE EXPRESSED
 WRITTEN CONSENT OF UNITORQ. ACCEPTANCE OF THIS
 DRAWING WILL BE CONSTRUED AS AN AGREEMENT TO THE
 ABOVE.



2150 Boggs Road, Suite 410
 DULUTH, GEORGIA U.S.A. 30096
 Ph: 770-446-7074
 Fax: 770-447-1825
 www.unitorq.com

PRODUCT: Switch Box	PART NUMBER: LABAA211100	SALES DRAWING NUMBER: LABAA211100	DWN BY: AJK	DATE: 08/24/2017	SCALE: 1:2.5	REV. 0
------------------------	-----------------------------	--------------------------------------	----------------	---------------------	-----------------	-----------