

# MG Series (Customized for OEM Medical Gas Service)

## 3-PIECE BRONZE BALL VALVE

### WITH EXTENDED COPPER-TUBE ENDS



MSS SP-110  
3-Piece, Full-Port, Bronze Ball Valve  
600 WOG  
14 Extended-Tube Ends  
Inline Repairable

- Ideal for use in medical gas systems, pharmaceutical applications and other applications where valve disassembly prior to installation is undesirable.
- Extended-tube ends can be soldered or brazed into service without disassembly, reducing installation time.
- Full-port (1/2"-2 1/2") design provides high flow with minimal pressure drop.
- 3-piece construction simplifies maintenance and repair.
- Additional standard features include reinforced RPTFE seats and adjustable PTFE packing, a blow-out proof stem and a chrome-plated brass ball or stainless steel ball.
- Customized to meet individual requirements.
- Sizes range from 1/2"– 3".

How to Order Milwaukee Valve Medical Gas Ball Valve

Series	End Connection (Tube)	Male / Female	Left Side Tube Length (in quarters of an inch)	Right Side Tube Length (in quarters of an inch)	Distance of Gauge Port from Valve Centerline (in quarters of an inch)	Trim Option Stem / Ball	Ext. Options
MG	X	X	XX	XX	XX	X	XXX
Design Based on BA350TE	D - 1/2" E - 3/4" F - 1" G - 1 1/4" H - 1 1/2" J - 2" K - 2 1/2" L - 3"	M - Male F - Female (L) K - Female (K)	16 - 4 Inches 24 - 6 Inches 32 - 8 Inches 48 - 12 Inches	16 - 4 Inches 24 - 6 Inches 32 - 8 Inches 48 - 12 Inches	00 - No port 16 - 4 Inches 24 - 6 Inches	B - Brass / Brass Chrome Pld. S - 316SS / 316SS	A - Assemble Dry C - Chlorine Clean G - Two Gauge Ports O - Oxygen Clean P - Chrome Plated S - Side Gauge Port T - Top Gauge Port OH - Oval Handle LO - Oval Locking Handle SH - Stainless Steel Lever Handle LD - Stainless Steel Locking Lever

**Notes:**

Male ends are copper tube type K

Female ends are copper tube type L or type K

Valve handle 4.8 Inches max. from centerline of valve.

Gauge Port 1/8" NPT Standard and is located on right side tube. When 2 ports are specified they are both equal distance from valve centerline

Tube Length is defined as distance from the end of the valve tailpiece to the tube end.

Right side tube is defined as tube on the side under the handle when the valve is in the open position.

When chrome plating is specified the last 4" of the tube extensions will NOT be plated. This is an external plating only.

**Part Number Ex. :**

**MG-DM244517BOPT** = 1/2" Tube Connections; Male, Left Side Extension 6 Inches; Right Side Extension 11-1/4 Inches; Gauge Port Dimension 4-1/4 Inches From Valve Centerline; Brass Stem / Brass Chrome Pld. Ball; Oxygen Cleaned / Chrome Plated; Top Gauge Port

**MG-DM244800BOS** = 1/2" Tube Connections; Male, Left Side Extension 6 Inches; Right Side Extension 12 Inches; No Gauge Port; Brass Stem / Brass Chrome Pld. Ball; Oxygen Cleaned; Side Gauge Port

**MG-DM323216BOLDS** = 1/2" Tube Connections; Male, Left Side Extension 8 Inches; Right Side Extension 8 Inches; Gauge Port Dimension 4 Inches From Valve Centerline; Brass Stem / Brass Chrome Pld. Ball; Oxygen Cleaned / Stainless Steel Locking Lever; Side Gauge Port

\*\*\*Other tube lengths may be available consult factory before ordering\*\*\*

**INNOVATION** IN EVERY VALVE  
www.milwaukeevalve.com



**MILWAUKEE VALVE**

The information presented on this sheet is correct at time of publication. Milwaukee Valve reserves the right to change design and/or materials without notice. For our Installation, Operation and Maintenance Manual and the most current product information go to [www.milwaukeevalve.com](http://www.milwaukeevalve.com).

⚠ State of California Prop 65 **WARNING:** Cancer and Reproductive Harm. For more information visit [www.p65warnings.ca.gov](http://www.p65warnings.ca.gov).

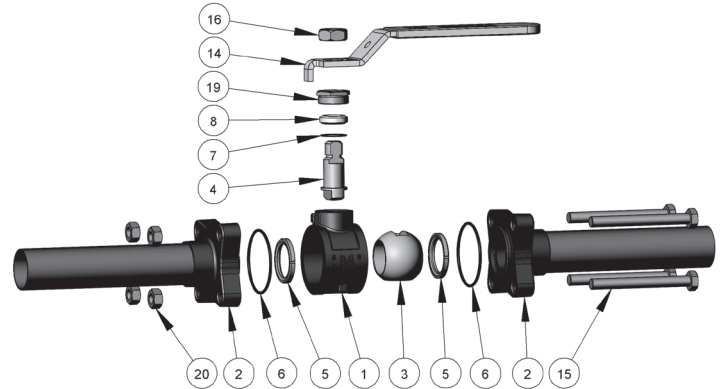
**Specifications:**

Approved valves shall be Milwaukee Valve MG Series. Valves shall meet or exceed the requirements of MSS-110. Valves shall be 3-piece, bronze body, full-port design (1/2"-2 1/2") and include flexible RPTFE seats and PTFE packing. Valves shall have a blow-out-proof stem. Valves shall be provided from the factory with Type "K" male or female or Type "L" female end copper-tube extensions. When required, the valves shall be factory-cleaned for oxygen service in conformance with MVES-60-02, NFPA 99C, CSA-41. Each cleaned valve shall include protective caps on the copper-tube ends, and be sealed in protective bags to prevent contamination prior to installation.

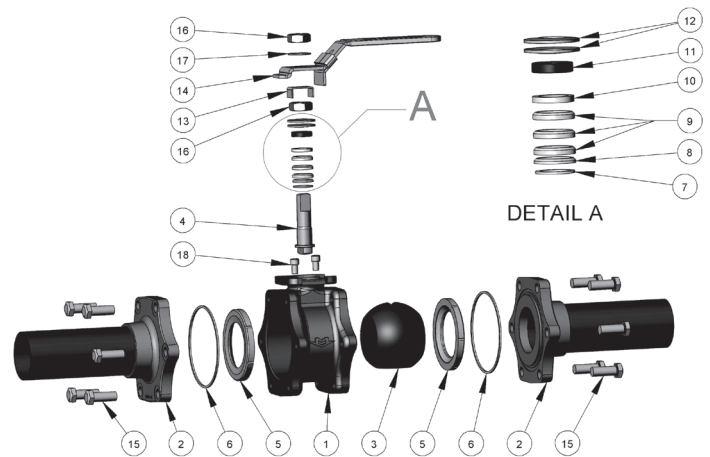
**Options Available:**

- Male Tube Ends – Type "K" (Standard)
- Female Tube Ends – Type "K" or "L" (-F)
- Cleaned For Oxygen Service (-OC)  
In Accordance With MVES-60-02, CSA-41
- Stainless-Steel Ball And Stem (-S)
- Stainless-Steel Locking Lever (-LD)
- Oval Handle (-OH)
- Oval Locking Handle (-LO)
- Stem Extension (-XH)
- Stainless-Steel Lever Handle (-SH)
- Gauge Ports (-G)

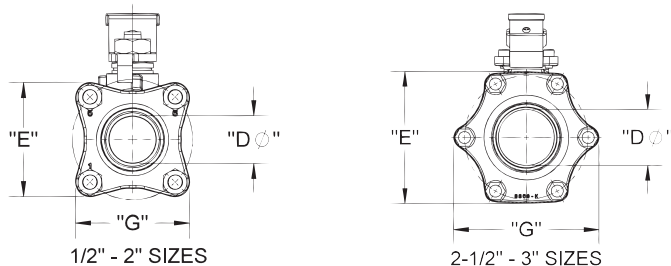
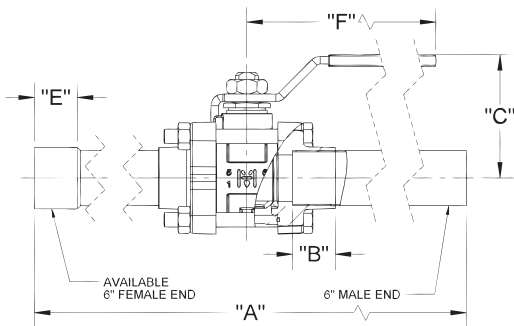
MATERIAL LIST			
ITEM	PART	MATERIAL	ASTM SPEC.
1	BODY	BRONZE	B584
2	SIL. BRAZED TUBE	BRONZE, COPPER TUBE	-
3	BALL	CHROME PLATED BRASS	B16
		316 STAINLESS STEEL	A276
4	STEM	BRASS	B16
		316 STAINLESS STEEL	A276
5	SEAT	15% GLASS RPTFE	-
6	O-RING	VITON	MIL-R-83248
7	WASHER, THRUST	25% GLASS RPTFE	-
8	PACKING		
	PACKING, MALE	PTFE	-
	PACKING "V"	PTFE	-
10	PACKING, FEMALE	PTFE	-
11	PACKING FOLLOWER	BRASS	B16
12	WASHER, BELLEVILLE	17-7 PH S.S.	COMMERCIAL
13	NUT LOCKER	S.S. 301	COMMERCIAL
14	HANDLE ASSY	STAINLESS STEEL	A276
15	HEX HEAD CAP SCREW	SAE, GRADE 8	COMMERCIAL
16	NUT, JAM	STEEL, ZINC PLATING	COMMERCIAL
17	WASHER, INTERNAL TOOTH	STAINLESS STEEL	COMMERCIAL
18	SOCKET HEAD CAP SCREW	COMMERCIAL CARBON STEEL	ZINC PLATED
19	GLAND NUT	BRASS	B16
20	HEX NUT	COMMERCIAL	SAE 5140



1/2" THRU 2"



2-1/2" & 3"



\*Not intended for use in potable water.

Pressure temperature charts containing valve seat and body ratings are available from the factory. Please contact the factory for accurate application data.



The information presented on this sheet is correct at time of publication. Milwaukee Valve reserves the right to change design and/or materials without notice. For our Installation, Operation and Maintenance Manual and the most current product information go to [www.milwaukeevalve.com](http://www.milwaukeevalve.com).  
 ⚠ State of California Prop 65 **WARNING:** Cancer and Reproductive Harm. For more information visit [www.p65warnings.ca.gov](http://www.p65warnings.ca.gov).