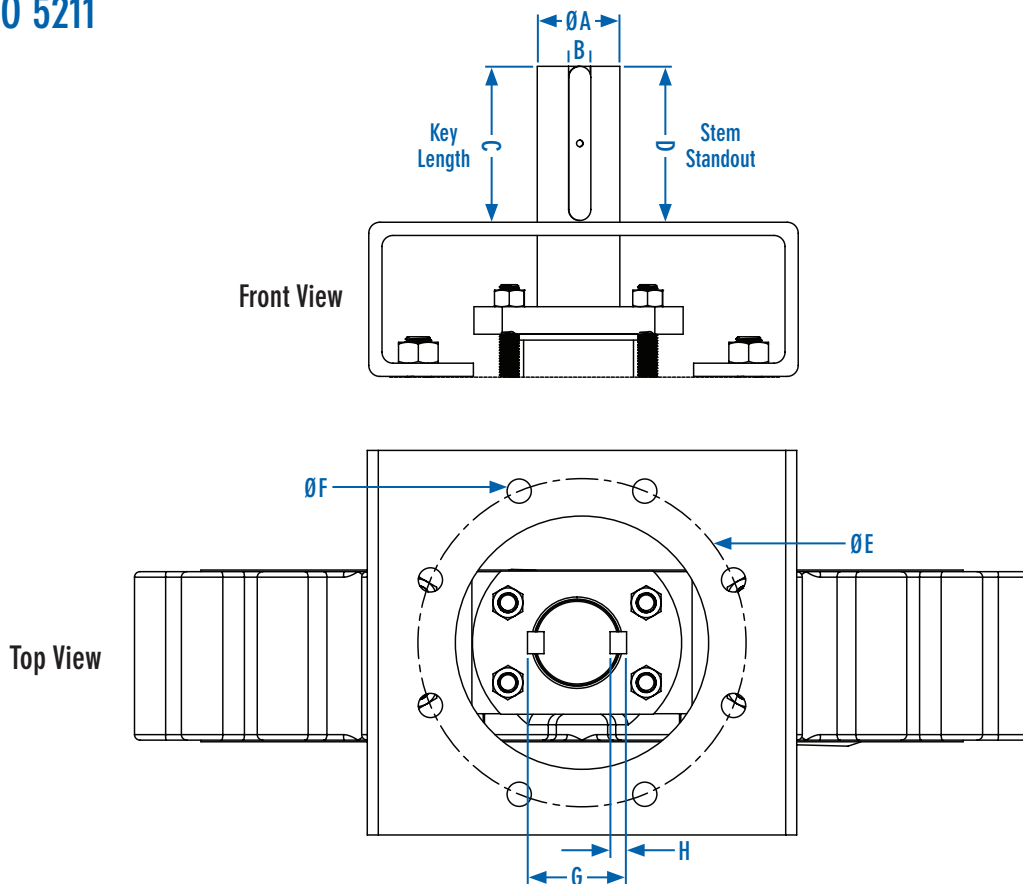


TØV Topworks – 14 to 24 Inches
 Dimensions
 Per ISO 5211



14"-24" CL 150 DIMENSIONS (MM)									
Valve Size	ISO Flange Type	ØA	B	C	D	ØE B.C.	ØF	G	H
14"	F16	44	12	63	65	165	22	50.6	8
16"	F16	48	14	70	72	165	22	55.6	9
18"	F25	55	16	90	93	254	18	63.6	10
20"	F25	68	20	110	113	254	18	76.8	12
24"	F30	75	20	140	143	298	22	83.8	12

14"-24" CL 300 DIMENSIONS (MM)									
Valve Size	ISO Flange Type	ØA	B	C	D	ØE B.C.	ØF	G	H
14"	F25	54	16	80	83	254	18	62.6	10
16"	F30	60	18	90	93	298	22	68.8	11
18"	F30	68	20	110	113	298	22	77.8	12
20"	F35	75	20	140	143	356	32	84.8	12
24"	F35	90	25	180	183	356	32	100.8	14

Consult Factory for torque requirements.

The information presented on this sheet is correct at the time of publication. Milwaukee Valve reserves the right to change design and/or materials without notice. For our Installation, Operations and Maintenance Manual (IOM) and the most current product information, go to www.milwaukeevalve.com.

△ State of California Prop 65 Warning: Cancer and Reproductive Harm. For more information visit www.p65warnings.ca.gov.

