



NAMUR

SOLENOID VALVES

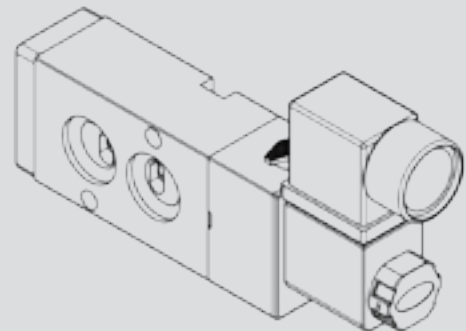
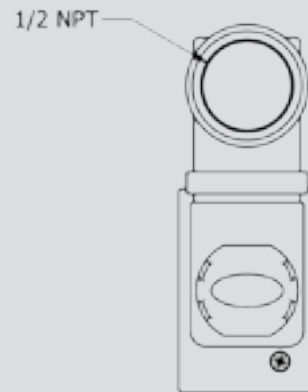
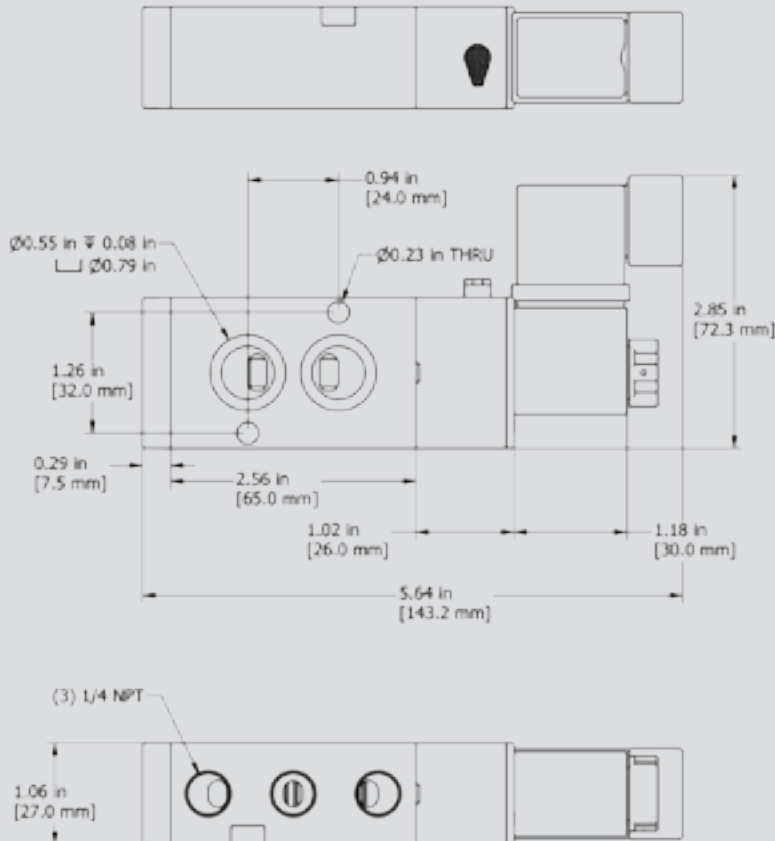
www.untorq.com



Solenoid Series

UniTorq's direct Namur solenoid valve 5/2 or 3/2 NC operation gives you a high-cycle, high-flow, fast-response capability that's second to none. Intended to direct mount on all UniTorq rack and pinion actuators with a Namur valve mounting part. UL, CSA and CE certification is available.

Performance Data			
CV Rating	Body	Positions	Airports
1.4	Anodized aluminum SS available	5/2 or 3/2 NC	1/4" NPT
Working Temperature	Working Medium	Working Life	Frequency
23°-176°F	Less than 40 microns of filtered and dried air	1 million cycles	5 cycles per second



SOLENOID LEGEND

SV1

NEMA4

110AC

Number of Coils

- 1 - Single Coil
- 2 - Dual Coils: 2 Positions
- 3 - Dual Coils: 3 Positions (specifically for 90x90 actuators)

Enclosure Rating

- Nema 4, 4x (UL CSA)
- Nema 7
- Class I, Div I, Groups A,B,C and D
- Class II, Div I, Groups E, F and G
- Class III

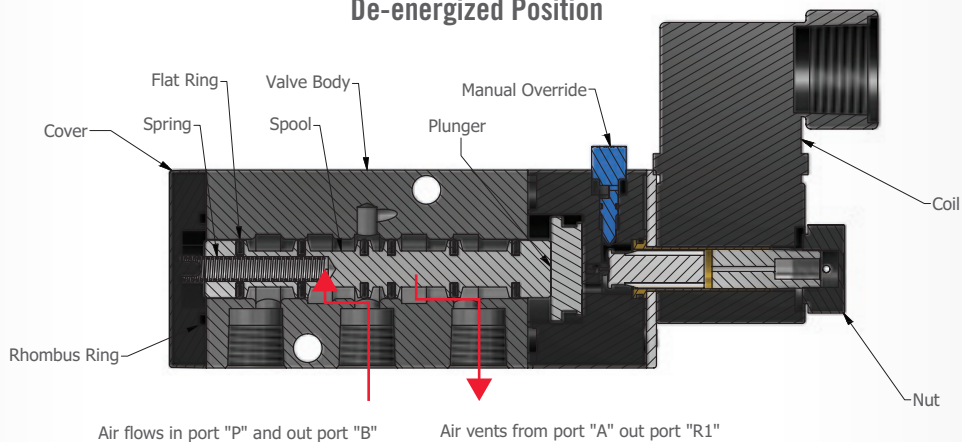
Voltage

- 110/120VAC
- 220/240VAC
- 12VDC/24VAC
- 24VDC Standard (6.9 Watt)
- 24VDC Low Power (2 Watt)

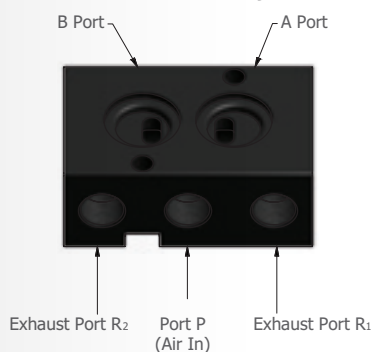
Options

- SS - Stainless Steel
- NX1 - Quick Exhaust Valve for Spring Return
- R - Rebreather
- ANI
- SC - Speed Control

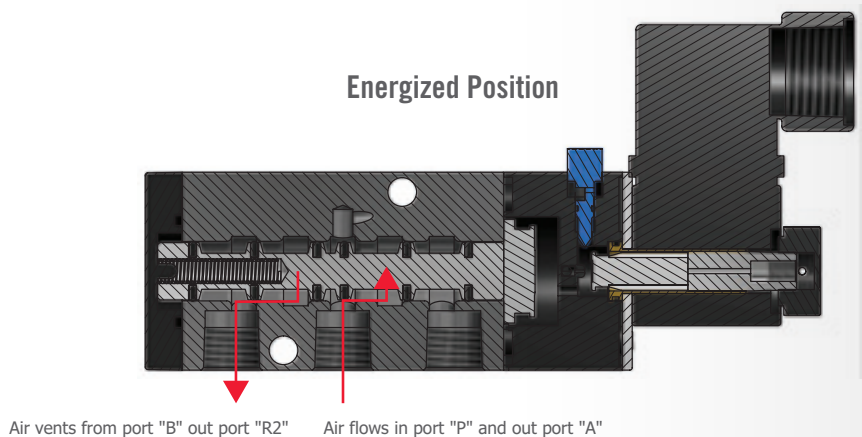
De-energized Position



Solenoid Body



Energized Position



SOLENOID VALVES

The Trusted Source in Valve Automation

For more than 20 years, we've been your one source for innovative, reliable and affordable actuators and accessories.

With a continued focus on emerging technology and manufacturing trends, we've expanded our product line to include a wider selection of innovative actuators and controls to meet the various demands in today's market. Our recognition of these trends led to the introduction of more sizes, digital positioners, expanded gear override products, solenoid valves, limit switches and both quarter-turn and multi-turn electric actuators.

At UniTorq, we're committed to meeting our customers' changing requirements while adhering to the standards set by our company-wide quality management system. Established through management review and continuously monitored for effectiveness and improvement, UniTorq's goals for quality are consistently met and surpassed, making us the smart source from the valve up.



To learn more, visit unitorq.com or email sales@unitorq.com



UniTorq Actuators & Controls • 2150 Boggs Road, Suite 410, Duluth, GA 30096

Telephone: 770-446-7074 Fax: 770-447-1825

