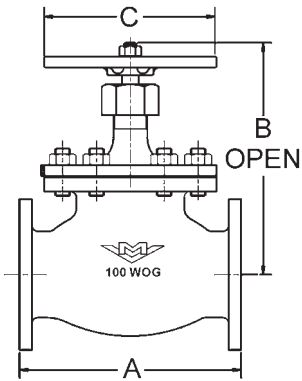


MILWAUKEE VALVE CO.

NAVY BRONZE GLOBE — FLANGED ENDS

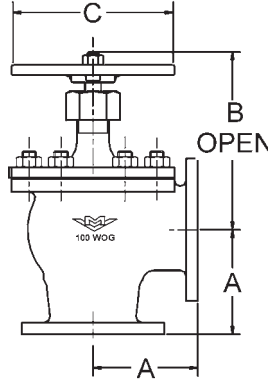


1021-001
100 psi @ 425°F
 Bolted Bonnet – Gland Packed
 NI-CU Trim

DIMENSIONS – INCHES

SIZE	A	B	C
2-1/2	9	10-1/8	7
3	10	11-1/4	8
4	12-1/2	13-15/16	9
5	14-3/4	16-7/16	11
6	17	17-7/8	12
8	21-1/2	22-7/16	16

NAVY BRONZE ANGLE — FLANGED ENDS

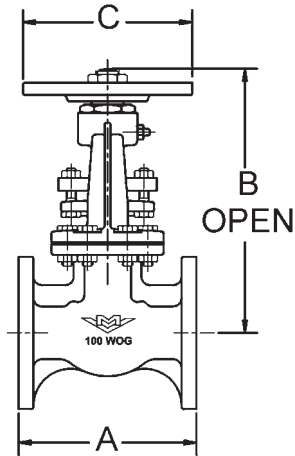


1023-001
100 psi @ 425°F
 Bolted Bonnet – Gland Packed
 NI-CU Trim

DIMENSIONS – INCHES

SIZE	A	B	C
2-1/2	4-1/2	8-3/8	7
3	5	9-1/8	8
4	6	11-5/16	9
5	7-1/8	13-3/4	11
6	8	15-1/4	12

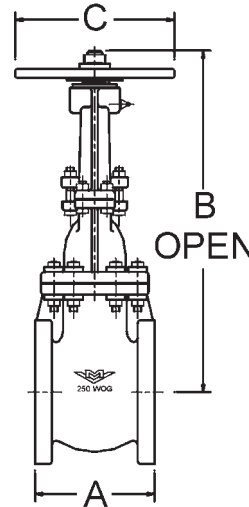
NAVY BRONZE GATE — FLANGED ENDS



1305
100 psi WOG
 Bolted Bonnet, O.S.&Y. Rising Stem
 Gland Packed – NI-CU Trim
 MIL-V-1189 Type 1, Class 1

DIMENSIONS – INCHES

SIZE	A	B	C
1	5	8-1/4	5
1-1/4	5-1/4	9-1/2	5
1-1/2	5-1/2	10-1/8	7
2	5-3/4	11-3/4	7
2-1/2	6	14-3/8	7
3	6-1/4	16-5/8	8
3-1/2	6-1/2	17-13/16	8
4	6-3/4	20-3/8	9
5	7-1/2	26	10
6	8	30-1/4	11
8	9-1/2	39-1/4	14

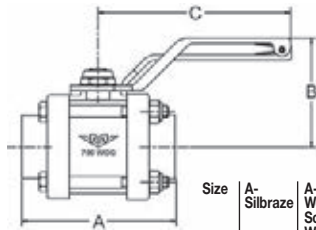


1315
250 psi WOG
 Bolted Bonnet, O.S.&Y. Rising Stem
 Gland Packed – NI-CU Trim
 MIL-V-1189 Type 1, Class 2

DIMENSIONS – INCHES

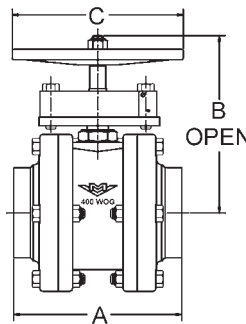
SIZE	A	B	C
2-1/2	6	15-9/16	8
3	6-1/4	17-5/8	8
3-1/2	6-1/2	19-9/16	8
4	6-3/4	22-7/16	9
5	7-1/2	26-7/8	10
6	8	30-5/8	10
8	9-1/2	39-1/16	12
10	11	47-9/16	16
12	12-1/2	55-7/16	16

BALL VALVES — SILBRAZE, WELD, FLANGED, HOSE ENDS



1003
700 PSI
 Bronze, NI-CU, CU-NI, or Stainless Body
 Bronze, NI-CU, CU-NI, or Stainless Ends
 Titanium or Stainless Ball

Size	A- Silbraze	A- Butt Weld or Socket Weld	A- Silbraze X Hose	A- Socket Weld X Hose	A- Flanged	B	B- Flanged	C
1/4	3.755	3.755			7.848	2.104	3.062	4.287
3/8	3.885	3.885			7.978	2.408	3.157	4.332
1/2	4.191	4.191	4.441	4.441	8.472	2.806	3.556	5.832
3/4	4.520	4.770			8.583	2.988	3.756	5.836
1	5.048	5.172	5.361	5.423	9.423	3.364	4.113	7.082
1-1/4	5.422	5.298			9.643	3.364	4.082	7.082
1-1/2	5.972	5.598	5.973	5.786	10.068	3.445	4.634	7.026
2	6.582	6.458			11.739	4.875	4.875	8.526
2-1/2	7.349	6.725	8.10	7.788	12.944	5.156	5.156	10.026



1004
400 PSI
 Bronze Body
 Bronze, NI-CU, or CU-NI Ends
 Titanium or Stainless Ball

SIZE	A- Silbraze	A- Butt Weld	B	C
3			12.437	12
3-1/2			12.437	12
4	11.852	11.852	12.437	12
5	11.852	11.852	12.437	12
6		16.478	12.437	12



MILWAUKEE VALVE