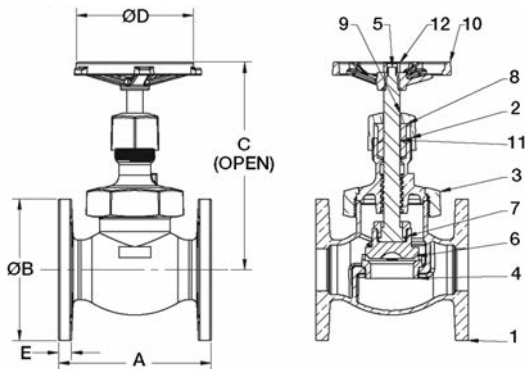


MILWAUKEE VALVE CO.

1060N GLOBE VALVE
1060N-SC GLOBE STOP CHECK VALVE

Bronze / ANSI Flanged / Union Bonnet / 225 WOG / 150 SWP

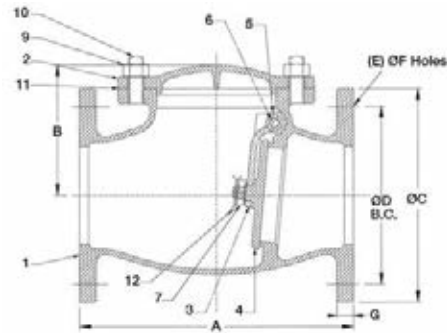


Size	.5	.75	1	1.5	2
A	4.00	4.25	4.25	5.38	6.13
ØB	3.50	3.88	4.50	5.00	6.00
C	5.19	6.06	6.56	7.75	9.00
ØD	2.75	3.00	3.00	4.00	4.63
E	.31	.34	.38	.44	.50
F	4	4	4	4	4
ØG	.63	.63	.63	.63	.75
ØH	2.38	2.75	3.13	3.88	4.75

Item	Description	Material	Specification
1	Body	Bronze	ASTM B61
2	Bonnet	Bronze	ASTM B61
3	Nut, bonnet	Bronze	ASTM B61
4	Seat Ring	Ni-Cu Alloy	ASTM A494 M30H
5	Stern	Ni-Cu Alloy	ASTM B164
6	Disc	Ni-Cu Alloy	ASTM A494 M30C
7	Disc Nut	Bronze	ASTM B61
8	Gland	Brass	ASTM B16
9	Stuff Nut	Bronze	ASTM B61
10	Handwheel	Malleable Iron	
11	Packing Ring	PTFE	Commercial
12	Handwheel Nut	Naval Brass	Commercial

1291 SWING CHECK VALVE
Bronze / Monel Trim / 225 WOG / 150 SWP
Flanged to ASME/ANSI B16.24

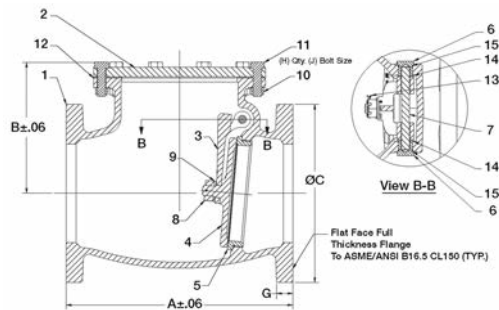
Item	Description	Material	Specification
1	Body	Bronze	ASTM B61
2	Cap	Bronze	ASTM B61
3	Lever	Bronze	ASTM B61
4	Disc	Bronze	ASTM B61
5	Plug Hinge Pin	Ni-Cu Alloy	ASTM B164 CL B
6	Hinge Pin	Ni-Cu Alloy	ASTM B164 CL B
7	Disc Nut	Ni-Cu Alloy	ASTM B164 CL B
8	Washer	Ni-Cu Alloy	ASTM B164 CL B
9	Nut	Naval Bronze	ASTM B21
10	Stud	Naval Bronze	ASTM B21
11	Gasket	Syn. Rubber	MIL-R-1149
12	Cotter Pin	Ni-Cu Alloy	ASTM B164 CL A



Size	2	2.5	3	4	5	6	8	10	12
A	7.88	9.13	10.00	11.50	13.00	14.00	19.50	24.50	27.50
B	3.88	4.25	4.69	5.50	6.38	8.00	10.38	14.00	17.00
ØC	6.00	7.00	7.50	9.00	10.00	11.00	13.50	16.00	19.00
ØD	4.75	5.50	6.00	7.50	8.50	9.50	11.75	14.25	17.00
E	4	4	4	8	8	8	8	12	12
ØF	.75	.75	.75	.75	.88	.88	.88	1.00	1.00
G	.50	.56	.63	.69	.75	.81	.93	1.00	1.06

1291-008 SWING CHECK VALVE
Stainless Steel / Flanged End / 275 WOG / 150 SWP
General Design to ASME/ANSI B16.34

Item	Description	Material	Specification
1	Body	CRES	ASTM A351 CF8M
2	Cap	CRES	ASTM A240 TY316
3	Lever	CRES	ASTM A351 CF8M
4	Disc	CRES	ASTM A276 TY316 (2-1/2") ASTM A351 CF8M
5	Seat Ring	CRES	ASTM A351 CF8M
6	Plug	CRES	ASTM A479 TY316
7	Pin	CRES	ASTM A276 TY440C
8	Hex Nut, Slotted	CRES	ASTM A194 GR8
9	Flat Washer	CRES	ASTM A582 TY416
10	Hex Nut	CRES	ASTM A194 GR8
11	HHCS	CRES	ASTM A193 B8
12	Gasket	Buna N-Cork	MIL-C-6183 TY2 CL1 GRC
13	Cotter Pin	CRES	ASTM A276 TY302
14	Thrust Washer	CRES	ASTM A582 TY416
15	O-ring	Nitrile	ASTM-P-83461



Size	1	1.5	2	2.5	3	4	5	6	8	10	12
A	5.00	6.50	8.00	8.50	9.50	11.50	13.00	14.00	19.50	24.50	27.50
B	4.25	4.69	3.88	4.25	4.69	5.50	6.38	8.00	10.38	14.00	17.00
ØC	4.25	5.00	6.00	7.00	7.50	9.00	10.00	11.00	13.50	16.00	19.00
ØD	3.12	3.88	4.75	5.50	6.00	7.50	8.50	9.50	11.75	14.25	17.00
E	4	4	4	4	4	8	8	8	8	12	12
ØF	.62	.62	.75	.75	.75	.75	.88	.88	.88	1.00	1.00
G	.38	.44	.56	.62	.69	.88	.88	.94	1.06	1.12	1.19



MILWAUKEE VALVE