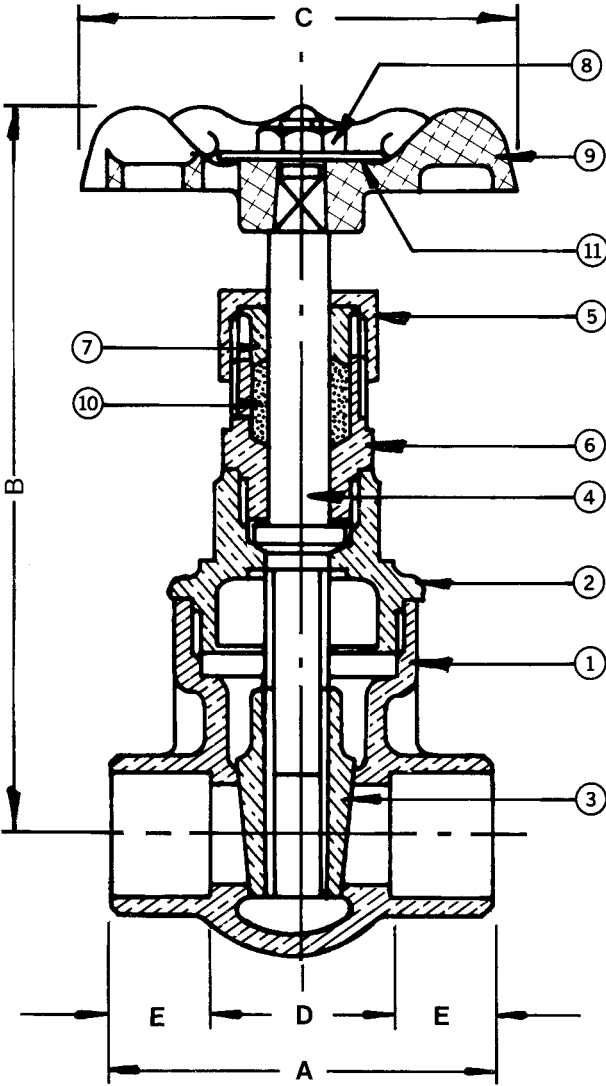


115 3/8"-4"

Bronze Gate Valve
125 SWP - 200 WOG †
Non-Rising Stem 3/8" - 3" • Rising Stem 4"
Solid Wedge Disc
Threaded Bonnet • Solder Ends
Conforms to: MSS SP-80*



Note: Not intended for use in potable water.

MATERIAL LIST			
No.	PART	MATERIAL	SPECIFICATION
1	Body	Bronze	ASTM B62
2	Bonnet	Bronze	ASTM B62
3	Wedge	Bronze	ASTM B62
4	Stem	Bronze	ASTM B62
5	Packing Nut	Brass	ASTM B283 C37700
6	Stuffing Box	Brass	ASTM B283 C37700
7 ¹	Gland	Brass	ASTM B124 C37700
8	Handwheel Nut	Brass	ASTM B16
9	Handwheel	Mall. Iron	Commercial
10	Packing	Graphite	Commercial
11	Name Plate	Sh. Alum	Commercial

¹ Not used on 1/2" and smaller

DIMENSIONS - INCHES/MILLIMETERS							
Units	Size	A	B	C	D	E	C _v
Inches	3/8	1.63	3.56	2.00	0.88	0.38	10.7
mm		41	91	51	22	10	
Inches	1/2	1.88	3.56	2.00	0.88	0.50	17.6
mm		48	91	51	22	13	
Inches	3/4	2.50	4.75	2.50	1.00	0.75	32.0
mm		64	121	64	25	19	
Inches	1	3.00	5.00	2.75	1.19	0.91	54.0
mm		76	127	70	30	23	
Inches	1 1/4	3.25	5.88	3.44	1.31	0.97	97.0
mm		83	149	87	33	25	
Inches	1 1/2	3.63	6.50	3.75	1.44	1.09	135.0
mm		92	165	95	37	28	
Inches	2	4.31	7.44	3.75	1.63	1.34	230.0
mm		110	189	95	41	34	
Inches	2 1/2	4.81	9.13	4.75	1.88	1.47	337.0
mm		122	232	121	48	37	
Inches	3	5.44	10.38	5.25	2.13	1.66	536.0
mm		138	264	133	54	42	
Inches	4	7.25	15.50	5.25	2.93	2.16	960.0
mm		184	394	133	75	55	

† Non-Shock

* 4" is not covered in MSS SP-80. It has a split wedge and bolted bonnet.

INNOVATION IN EVERY VALVE

The information presented on this sheet is correct at time of publication. Milwaukee Valve reserves the right to change design and/or materials without notice. For our Installation, Operation and Maintenance Manual and the most current product information go to www.milwaukeevalve.com.  State of California Prop 65 **WARNING:** Cancer and Reproductive Harm. For more information visit www.p65warnings.ca.gov.



MILWAUKEE VALVE