

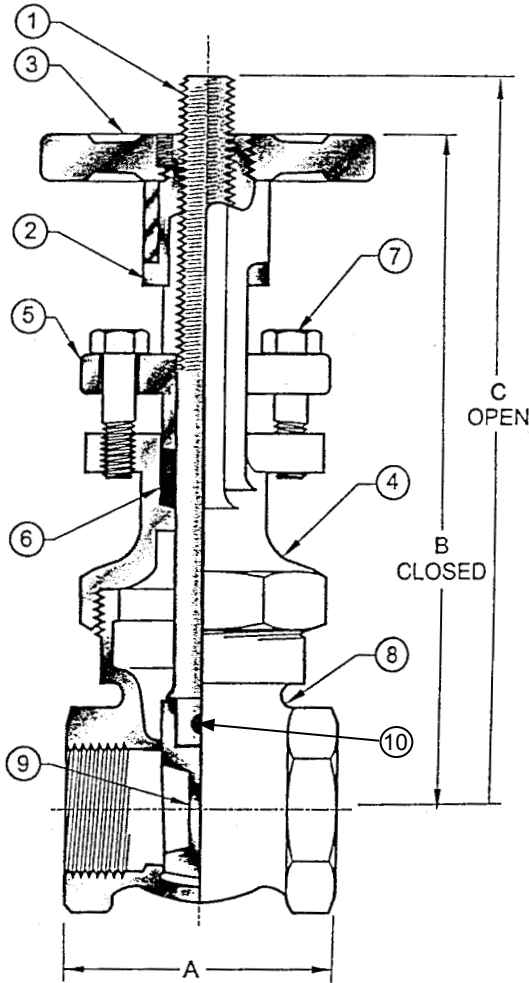
# 118-FP 1"-2"

**Bronze Gate Valve**  
**175 WOG† • O.S. & Y**  
**Solid Wedge Disc • Threaded Ends • Threaded Bonnet**  
**New York City Board of Standards and Approval**  
**Approval: U.L. Listed, F.M., N.Y. C.B.S.A. No. 1079-81-SA**



**MEA255-93-E**

**FM Approved and UL Listed as Fig 118**



MATERIAL LIST			
No.	PART	MATERIAL	SPECIFICATION
1	Stem	Brass	CDA-360
2	Yoke Bushing	Brass	CDA-360
3	Handwheel	Ductile Iron	
4	Bonnet	Bronze	CDA-844
5	Packing Gland	Brass	CDA-844
6	Packing	Graphite	
7	Gland Follower Bolt	Plated Steel	
8	Body	Bronze	B-584
9	Wedge	Bronze	B-584
10	Roll Pin	Bronze	

DIMENSIONS - INCHES/MILLIMETERS				
Units	Size	A	B	C
Inches mm	1	2.50 64	6.50 165	8.00 203
Inches mm	1 1/4	2.75 70	7.63 194	9.50 241
Inches mm	1 1/2	2.86 152	8.00 203	10.00 254
Inches mm	2	3.13 79	9.00 229	11.25 286

† Non-Shock

Note: Not intended for use in potable water.

**INNOVATION** IN EVERY VALVE

The information presented on this sheet is correct at time of publication. Milwaukee Valve reserves the right to change design and/or materials without notice. For our Installation, Operation and Maintenance Manual and the most current product information go to [www.milwaukeevalve.com](http://www.milwaukeevalve.com). State of California Prop 65 **WARNING:** Cancer and Reproductive Harm. For more information visit [www.p65warnings.ca.gov](http://www.p65warnings.ca.gov).

