

ORDERING INFORMATION

30BBOF BRONZE AND 30BSOF BRONZE WITH STAINLESS STEEL TRIM FULL-PORT, THREE-PIECE BALL VALVES

1/2" 30BSOF-02-LS-VB

Size:
1/4"-2"

Series:
30 = 3-Piece Industrial

Body Material:
B = Bronze

Ball/Stem Material:
B = Chrome-Plated Brass Ball
w/ Brass Stem
S = Stainless Steel

End Connection Type:
O = NPT Female
1 = Solder End
(bronze only)

Port Size:
F = Full Port

External Options:

LL = Patented* Stainless
Latch-Lock Handle
LO = Patented** Locking
Stainless Oval Handle –
Spring-Loaded
LS = Patented** Stainless
Latch-Lock Handle –
Spring-Loaded
OS = Stainless Oval Handle
XH = Extended Handle
(2" extension standard.
Other lengths available to
customer specifications.)

Seat Material:

01 = Virgin PTFE
02 = Reinforced PTFE
03 = Steam Service
Modified PTFE***

Internal Options:

AD = Assemble Dry
GB = Grounded Ball***
GS = Grounded Stem***
VB = Vented Ball

Note: If specifying more
than one internal option,
list ALPHABETICALLY.

* – U.S. Patent No. 5,014,528
** – U.S. Patent No. 5,183,073
*** – Must Be Ordered With SS Ball and Stem.
For Steam Service, Please Consult Factory.

NOTE: The information presented in this brochure
is correct at time of printing. Milwaukee Valve
reserves the right to change design, dimensions
and/or material specifications without notice.

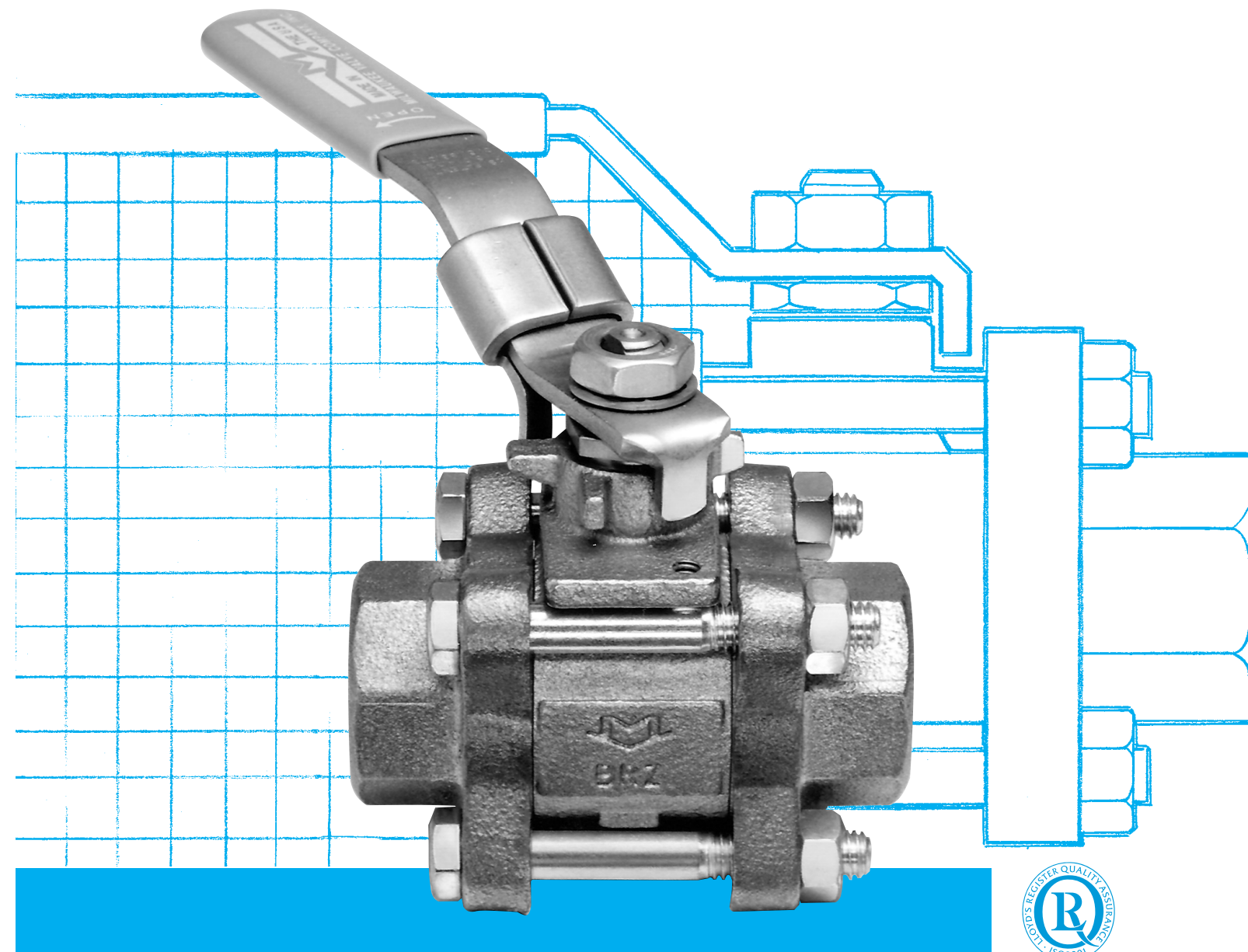
Valves built to take it... since 1901

Milwaukee Valve Company
16550 West Stratton Drive
New Berlin, Wisconsin 53151
Telephone 262/432-2700
FAX 262/432-2701
www.milwaukeevalve.com

© Milwaukee Valve Company, 1998 Rev. 0905

MILWAUKEE VALVE

BAL-7



INNOVATION IN EVERY VALVE

MILWAUKEE VALVE

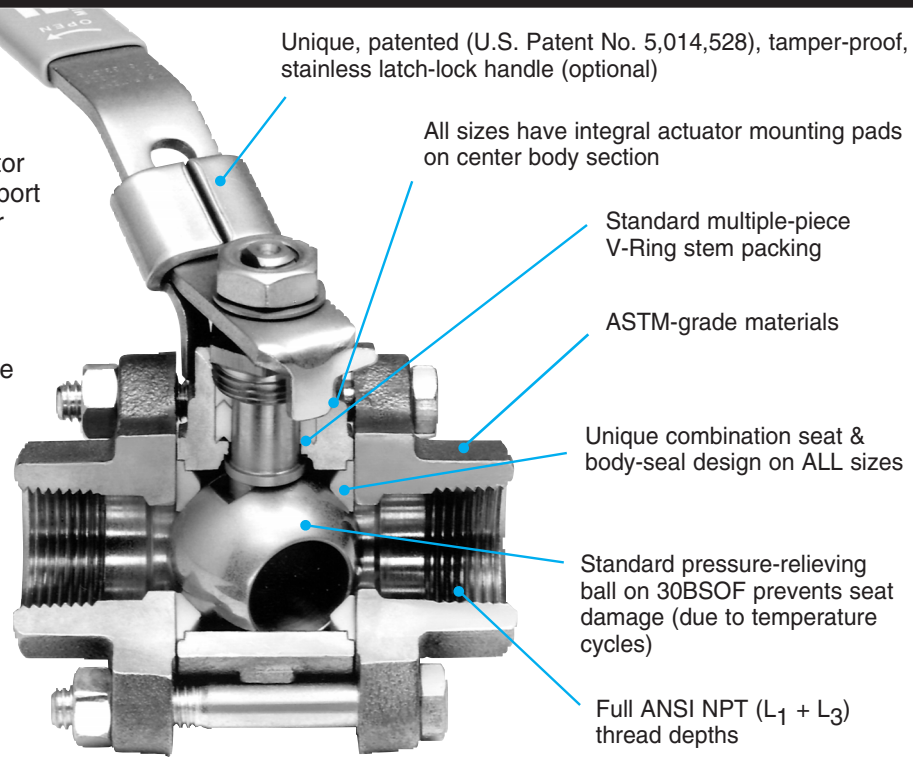
30BBOF AND 30BSOF THREE-PIECE BALL VALVES

The 30BBOF and 30BSOF Series ball valves are the most advanced 3-piece ball valves available.

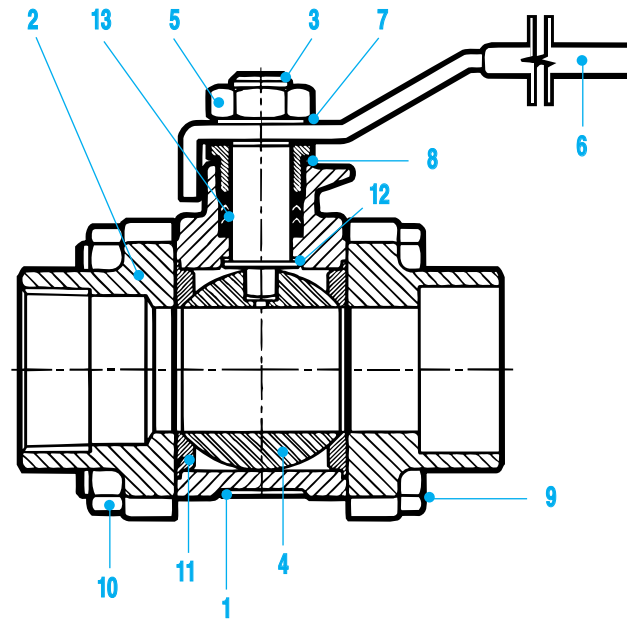
Designed with extensive end-user and distributor input, they include such standard features as: full-port design, multi-piece V-Ring stem packing for longer leak-free life; full NPT thread depths and superior ASTM-grade materials of construction.

The 3-piece design makes in-line maintenance and repairs possible. Reassembly is simplified with a combined body gasket and seat. Patents are pending on seat design for the 30BBOF/30BSOF, which utilize special high-cycle-life seats with the lowest operating torques. And when one or both ends are dismantled to service the valve, the actuator does not require removal. This combination provides the most economical actuated ball valve available.

Conforms to: WW-V 35, Class A, Style 1, End Connection A (threaded) or End Connection C (soldered).



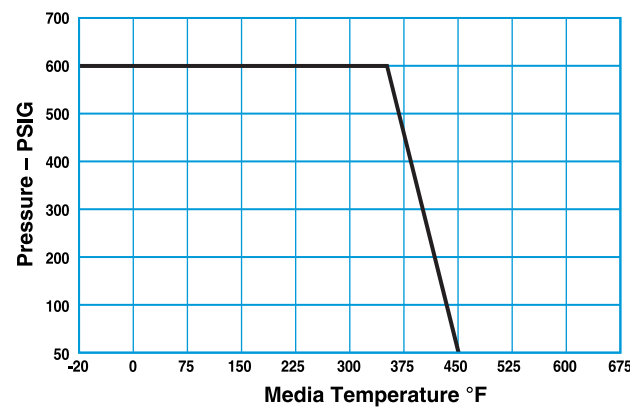
MATERIAL LIST



PART	30BBOF-02	30BSOF-02
1. Body	Bronze – ASTM B584	Bronze – ASTM B584
2. Endcap	Bronze – ASTM B584	Bronze – ASTM B584
3. Stem	Brass – ASTM B16	Stainless Steel ASTM A276 – Type 316
4. Ball	Brass w/ Chrome Plate ASTM B16	Stainless Steel ASTM A276 – Type 316
5. Handle Nut	Low-Carbon Steel Zinc-plated	Stainless Steel 18-8
6. Handle Assembly	AISI 1010 Steel Zinc-plated	Stainless Steel 18-8
7. Lock Washer	Carbon-Steel Plated	Stainless Steel – Type 316
8. Packing Nut	Brass ASTM B16	Stainless Steel ASTM A276 – Type 316
9. Body Capscrews	SAE J429 Gr. 8 Zinc-plated	SAE J429 Gr. 8 Zinc-plated
10. Body Nuts	SAE J429 Gr. 8 Zinc-plated	SAE J429 Gr. 8 Zinc-plated
11. Seats (02)	15% Glass Filled Reinforced PTFE	15% Glass Filled Reinforced PTFE
12. Thrust Washer	PTFE	PTFE
13. Packing	PTFE	PTFE

PERFORMANCE DATA

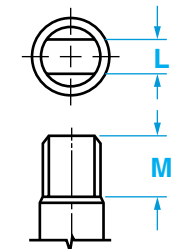
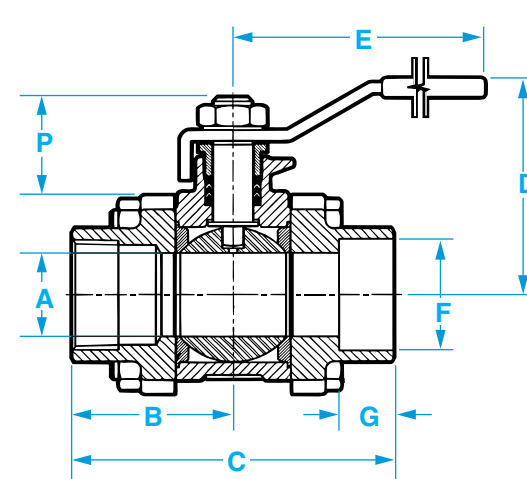
PRESSURE/TEMPERATURE RATINGS (02 TRIM)



TORQUE RATING AND C_v

VALVE SIZE	MAXIMUM BREAKAWAY TORQUE (in lbs.)	C _v (GPM)
1/4 – 3/8"	50	10
1/2"	50	10
3/4"	70	31
1"	125	49
1-1/4"	210	85
1-1/2"	360	110
2"	600	360

DIMENSIONS



N = NUMBER OF ACTUATOR MOUNTING PAD HOLES

DIMENSIONS – INCHES AND MILLIMETERS (30 SERIES BALL VALVES)

SIZE	1/4"		3/8"		1/2"		3/4"		1"		1-1/4"		1-1/2"		2"	
	IN	MM	IN	MM	IN	MM	IN	MM	IN	MM	IN	MM	IN	MM	IN	MM
A	0.69	17.5	0.69	17.5	.69	17.5	.75	19.1	1.00	25.4	1.25	31.8	1.50	38.1	2.00	50.8
B	1.40	35.6	1.40	35.6	1.40	35.6	1.72	43.7	1.94	49.3	1.38	35.1	2.62	66.5	3.05	77.5
C	2.81	71.4	2.81	71.4	2.81	71.4	3.44	87.4	3.87	98.3	4.75	121.0	5.24	133.0	6.10	154.9
D	2.52	64.0	2.52	64.0	2.52	64.0	2.79	70.9	2.93	74.4	3.18	80.8	3.37	85.6	3.60	91.4
E	5.88	149.0	5.88	149.0	5.88	149.0	5.88	149.0	5.88	149.0	7.75	197.0	7.75	197.0	7.75	197.0
F*	—	—	0.51	12.7	.63	16.0	1.07	27.2	1.33	33.8	1.68	42.7	1.92	48.8	2.41	61.2
G*	—	—	0.40	10.16	.50	12.7	.56	14.2	.68	17.3	.81	20.6	.87	22.1	1.06	26.9
H	1.58	40.10	1.58	40.10	1.58	40.1	1.58	40.1	1.58	40.1	1.46	37.1	1.63	41.4	2.25	57.2
I	0.32	8.10	0.32	8.10	.32	8.1	.32	8.1	.32	8.1	.56	14.2	.76	19.3	1.05	26.7
J	0.64	16.30	0.64	16.30	.64	16.3	.64	16.3	.64	16.3	1.13	28.7	1.53	38.9	2.10	53.3
K	10–24		10–24		10–24		10–24		10–24		1/4–20		1/4–20		1/4–20	
L	0.28	7.0	0.28	7.0	.276	7.0	.276	7.0	.276	7.0	.356	9.0	.356	9.0	.356	9.0
M	0.33	8.4	0.33	8.4	.330	8.4	.330	8.4	.330	8.4	.330	8.4	.330	8.4	.330	8.4
N	3		3		3		3		3		4		4		4	
P	1.25	31.75	1.25	31.75	1.25	31.75	1.25	31.75	1.25	31.75	1.375	34.93	1.50	38.10	1.50	38.10
WT.	LBS	KILOS	LBS	KILOS	LBS	KILOS	LBS	KILOS	LBS	KILOS	LBS	KILOS	LBS	KILOS	LBS	KILOS
	1.64	3.60	1.64	3.60	1.64	3.60	2.69	5.91	3.50	7.70	5.61	12.33	7.83	17.23	12.74	28.04

* These dimensions apply only to soldered end valves.

SPECIFICATIONS

Approved valves shall be Milwaukee Valve 30BBOF Series or 30BSOF Series or approved equal. Valves shall be of full-port design and include multiple-piece V-Ring stem packing, full ANSI NPT thread depths and ASTM-grade body/tailpiece materials. All valve sizes shall accommodate actuator mounting on the valve's center section. Each valve shall be tested for zero leakage. Approved valves to accommodate tamper-proof latch-lock handle where necessary or required.