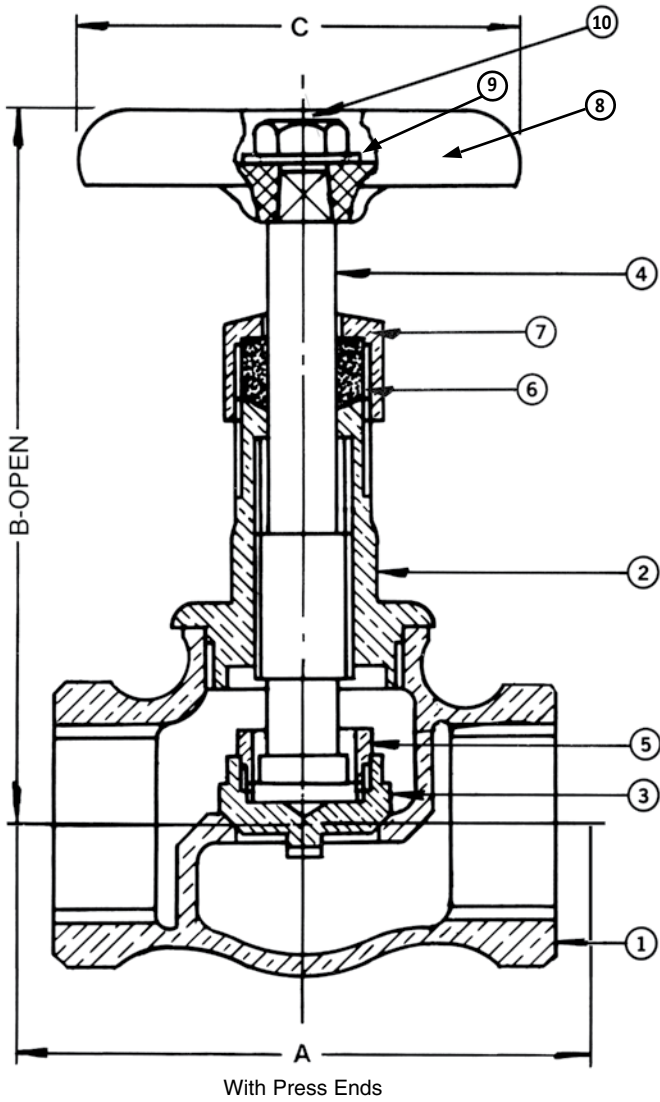


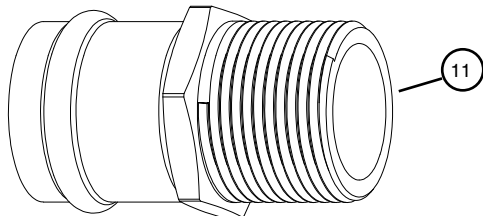
502 P2 1/2"-2"

ULTRAPRESS®

Bronze Globe Valve
200 psig @ 250°F †
Threaded Bonnet • Press Ends
Conforms to: MSS SP-80



Note: Not intended for use in potable water.



Press End Adapter (4151 Series)

MATERIAL LIST			
No.	PART	MATERIAL	SPECIFICATION
1	Body	Bronze	ASTM B62
2	Bonnet	Brass	ASTM B16, 1/2"
		Bronze	ASTM B62, 3/4" - 2"
3	Disc*	Brass	ASTM B453, 3/4" - 1-1/4"
		Bronze	ASTM B62, 1-1/2" - 2"
4	Stem	Brass	ASTM B505
5	Disc Ring*	Brass	ASTM B16, 3/4" - 2"
6	Packing	Graphite	Commercial
7	Packing Nut	Brass	ASTM B16, 1/2" - 3/4", 1-1/4"-2"
		Brass	ASTM B283, 1"
8	Handwheel	Mall. Iron	ASTM A47
9	Name Plate	Aluminum	Commercial
10	Handwheel Nut	Brass	ASTM B16
11	Press Adapter	Brass W/ EPDM O-Ring	ASTM B927

* 1/2" size has the disc integral with the stem and has no disc ring

DIMENSIONS - INCHES/MILLIMETERS						
Units	Size	STD Insertion Depth	A	B	C	C _v
Inches mm	1/2	0.87 22	5.31 135	3.63 92	2.00 51	3.64
Inches mm	3/4	0.98 25	6.14 156	3.94 100	2.50 64	6.65
Inches mm	1	0.98 25	6.94 176	4.38 111	2.75 70	11.10
Inches mm	1 1/4	1.02 26	7.45 189	5.19 132	3.44 87	20.00
Inches mm	1 1/2	1.42 36	8.17 208	5.75 146	3.75 95	28.00
Inches mm	2	1.58 40	10.44 265	6.75 172	4.25 108	48.00

† Non-Shock

INNOVATION IN EVERY VALVE

The information presented on this sheet is correct at time of publication. Milwaukee Valve reserves the right to change design and/or materials without notice. For our Installation, Operation and Maintenance Manual and the most current product information go to www.milwaukeevalve.com.  State of California Prop 65 **WARNING:** Cancer and Reproductive Harm. For more information visit www.p65warnings.ca.gov.



MILWAUKEE VALVE