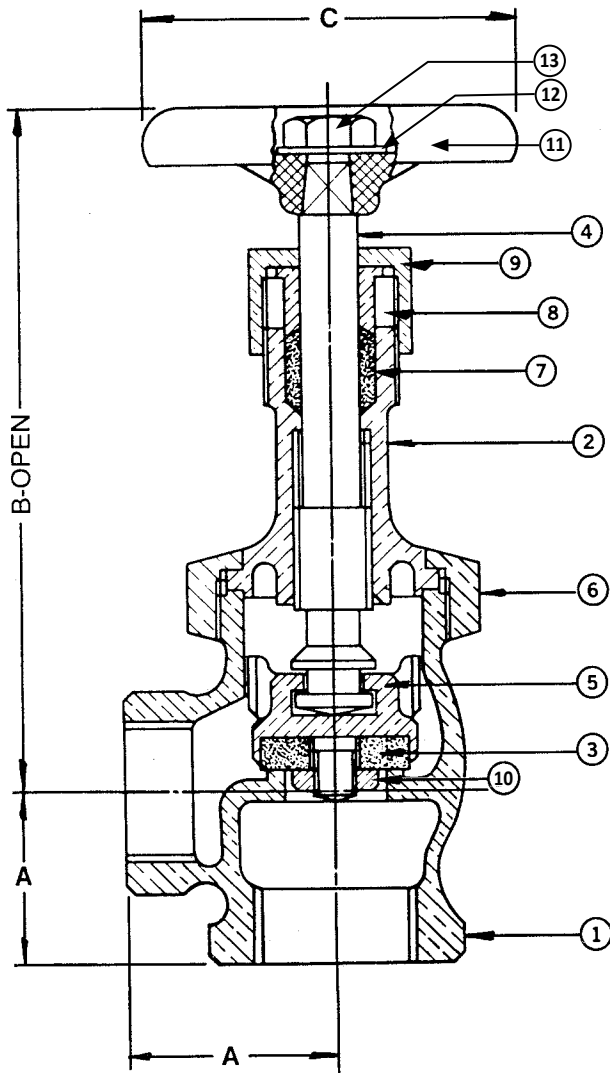


595T 1/4"-2"

**Bronze Angle Valve
150 SWP - 300 WOG †
Teflon Disc**

**Union Bonnet • Threaded Ends
Conforms to: MSS SP-80**



Note: Not intended for use in potable water.

MATERIAL LIST			
No.	PART	MATERIAL	SPECIFICATION
1	Body	Bronze	ASTM B62
2	Bonnet	Bronze	ASTM B62
3	Disc	Teflon	
4	Stem	Bronze	ASTM B62
5	Disc Ring	Brass	ASTM B505 1/4" to 3/4" ASTM B 62 1" to 2"
6	Union Bonnet Nut	Bronze	ASTM B62
7	Packing	Graphite	Commercial
8	Gland	Bronze	ASTM B16
9	Packing Nut	Bronze	Commercial
10	Disc Nut	Brass	Commercial
11	Handwheel	Mall. Iron	Commercial
12	Identification Plate	Aluminum	Commercial
13	Handwheel Nut	Brass	Commercial

DIMENSIONS - INCHES/MILLIMETERS					
Units	Size	A	B	C	C _v
Inches mm	1/4	1.06 27	3.94 100	2.00 51	1.60
Inches mm	3/8	1.19 30	4.25 108	2.00 51	3.10
Inches mm	1/2	1.19 30	5.13 130	2.50 64	5.10
Inches mm	3/4	1.44 37	5.19 132	2.75 70	9.20
Inches mm	1	1.75 45	6.56 167	3.25 83	16.00
Inches mm	1 1/4	2.06 52	6.25 159	3.75 95	28.00
Inches mm	1 1/2	2.25 57	7.63 194	4.25 108	39.00
Inches mm	2	2.75 70	8.88 225	4.75 121	66.00

† Non-Shock

INNOVATION IN EVERY VALVE

The information presented on this sheet is correct at time of publication. Milwaukee Valve reserves the right to change design and/or materials without notice. For our Installation, Operation and Maintenance Manual and the most current product information go to www.milwaukeevalve.com. ⚠ State of California Prop 65
WARNING: Cancer and Reproductive Harm. For more information visit www.p65warnings.ca.gov.



MILWAUKEE VALVE