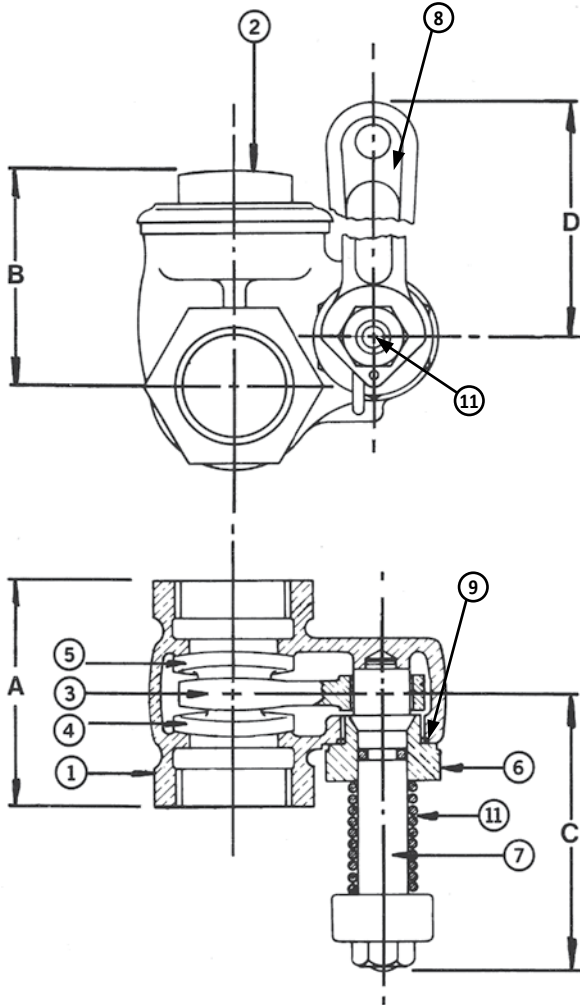


902 3/4"-1 1/4"

Bronze Gate Valve
150 WOG †
Quick Opening • Self Closing
Lever Operated • Double Disc • Threaded Ends



MATERIAL LIST			
No.	PART	MATERIAL	SPECIFICATION
1	Body	Bronze	ASTM B62
2	Cap	Bronze	ASTM B62
3	Lever	Bronze	ASTM B62
4	Male Disc	Brass	ASTM B16
5	Female Disc	Brass	ASTM B16
6	Bonnet (Center Piece)	Bronze	ASTM B62
7	Stem	Brass	ASTM B16
8	Lever Handle	Mall. Iron	ASTM B16
9	O-Ring	Buna-N	
10	Handle Nut	Steel	
11	Torsion Spring	Spring Steel-Cadmium Plated	

DIMENSIONS - INCHES/MILLIMETERS					
Units	Size	A	B	C	D
Inches	3/4	2.25	2.19	2.50	4.75
mm		57	56	64	121
Inches	1 1/4	2.88	2.88	2.94	8.19
mm		73	73	75	208

† Non-Shock

Note: Not intended for use in potable water.

INNOVATION IN EVERY VALVE

The information presented on this sheet is correct at time of publication. Milwaukee Valve reserves the right to change design and/or materials without notice. For our Installation, Operation and Maintenance Manual and the most current product information go to www.milwaukeevalve.com.  State of California Prop 65 **WARNING:** Cancer and Reproductive Harm. For more information visit www.p65warnings.ca.gov.



MILWAUKEE VALVE