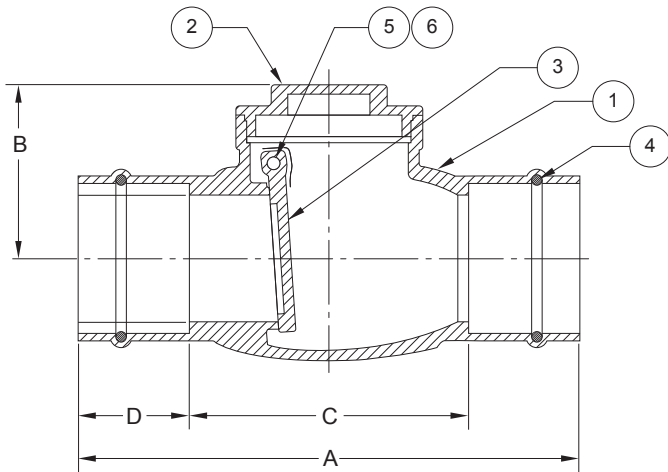


969* 1/2"-2"

ULTRAPRESS®

Brass Check Valve
200 psig @ 250°F†
Horizontal Swing, Press Ends



MATERIAL LIST			
No.	PART	MATERIAL	SPECIFICATION
1	Body	Brass	ASTM B283, C37700
2	Cap	Brass	ASTM B283, C37700
3	Disc	Brass	ASTM B283, C37700
4	O-Ring	EPDM	D2000 NSF61
5	Pin	St. Steel	ASTM A276 TY. 304
6	Side Plug	Brass	ASTM B124, C37700

* Ultra Press Valves are designed and qualified for use in copper tubing systems only, Types K, L, & M per ASTM B88. For installation instructions please see engineering section on website.

Note: Not intended for use in potable water.

DIMENSIONS - INCHES/MILLIMETERS						
Units	Size	A	B	C	D	Cv
Inches mm	1/2	3.35 85	1.38 35	1.7 43	0.83 21	10
Inches mm	3/4	3.74 95	1.43 36	1.75 45	0.99 25	18
Inches mm	1	4.36 111	1.74 44	2.38 61	0.99 25	31
Inches mm	1 1/4	4.97 126	1.99 51	2.92 74	1.02 26	54
Inches mm	1 1/2	6.13 156	2.28 58	3.3 84	1.42 36	76
Inches mm	2	7.16 182	2.48 63	3.99 101	1.59 40	131

INNOVATION IN EVERY VALVE

The information presented on this sheet is correct at time of publication. Milwaukee Valve reserves the right to change design and/or materials without notice. For our Installation, Operation and Maintenance Manual and the most current product information go to www.milwaukeevalve.com. ⚠️ State of California Prop 65
WARNING: Cancer and Reproductive Harm. For more information visit www.p65warnings.ca.gov.



MILWAUKEE VALVE