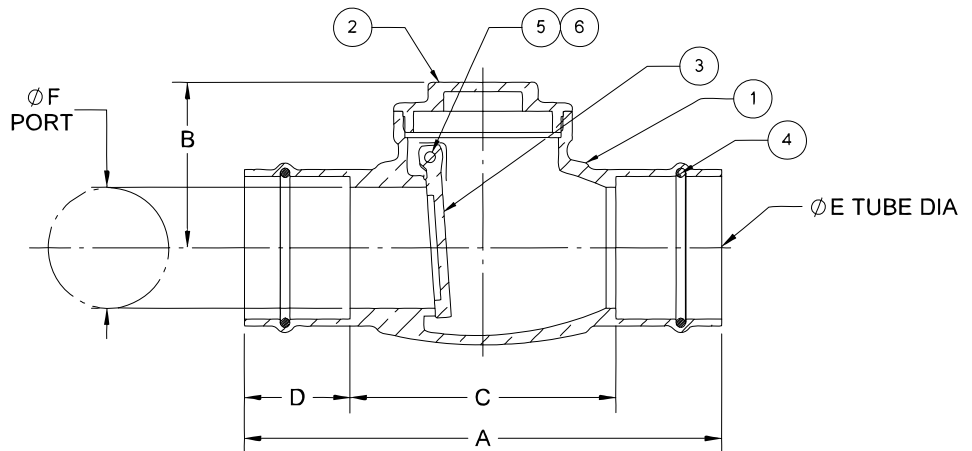




MATERIALS LIST

ITEM	PART	MATERIALS	ASTM SPEC.
1	Body	Brass	B283, C27450
2	Cap	Brass	B283, C27450
3	Disc	Brass	B283, C27450
4	O-Ring	EPDM	Commercial
5	Pin	Stainless Steel	A276, S30400
6	Side Plug	Brass	B124 C27450



DIMENSIONS

Units	Size	A	B	C	D	E	F
INCHES	1/2	3.35	1.38	1.70	0.83	0.63	0.50
mm		85	35	43	21	16	13
INCHES	3/4	3.74	1.43	1.75	0.99	0.88	0.75
mm		95	36	45	25	23	19
INCHES	1	4.36	1.74	2.38	0.99	1.13	0.93
mm		111	44	61	25	29	24
INCHES	1 1/4	4.97	1.99	2.92	1.02	1.38	1.24
mm		126	51	74	26	35	32
INCHES	1 1/2	6.13	2.28	3.30	1.42	1.63	1.38
mm		156	58	84	36	42	35
INCHES	2	7.16	2.48	3.99	1.59	2.13	1.81
mm		182	63	101	40	54	46

† Non-Shock

* Ultra Press Valves are designed and qualified for use in copper tubing systems only, Types K, L, & M per ASTM B88. For installation instructions please see engineering section on website.

Note: Lead free refers to the wetted surface of the pipe, fittings and fixtures in potable water systems that have a weighted average lead content ≤0.25%. Source: California Health and Safety Code (116875).

The information presented on this sheet is correct at time of publication. Milwaukee Valve reserves the right to change design and/or materials without notice. For our Installation, Operation and Maintenance Manual and the most current product information go to www.milwaukeevalve.com.

⚠ State of California Prop 65 **WARNING:** Cancer and Reproductive Harm. For more information visit www.p65warnings.ca.gov.

