

# BA-100/100S\* P2 1/2"-3"



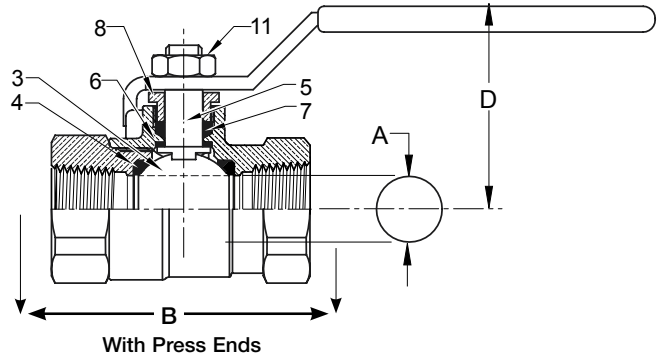
**Bronze Ball Valve**  
**Two Piece**  
**Standard Port (1"-3") Full Port (1/2"-3/4")**  
**200 psig @ 250°F†**  
**Press x Press Ends**  
**Press x Threaded Ends Available (Consult Factory)**  
**Blow-Out Proof Stem**  
**Conforms to MSS SP-110**

\*Not intended for use in potable water.

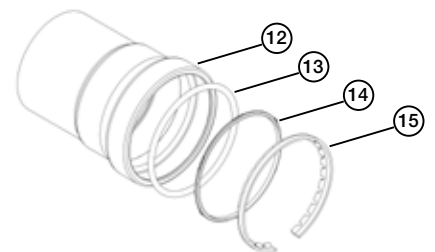
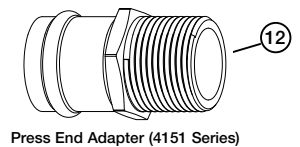
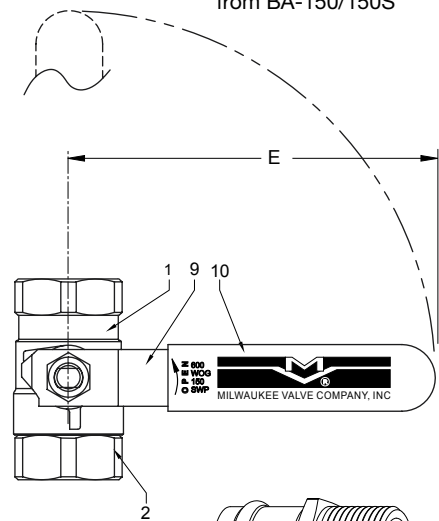
## MATERIAL LIST

ITEM	PART	MATERIAL	ASTM SPEC
1	Body	Cast Bronze	B584 C84400
2	Tailpiece	Brass	B283 C37700
		Cast Bronze (1 1/4" & up)	B584 C84400
3	Ball	Brass w/Hard Chrome Plating	B283 C37700
		316 Stainless Steel (1)	A276 S31600
4	Seat	RPTFE, 15% Glass filled	
5	Stem	Brass	B21 C46400 H02
		316 Stainless Steel (1)	A276 S31600
6	Thrust Washer	RPTFE, 25% Glass Filled	
7	Packing	PTFE	
8	Packing Nut	Brass	B16 C36000 H02
9	Handle	Steel w/Zinc Plating	Commercial
10	Handle Grip	Vinyl	
11	Handle Nut	Steel w/Zinc Plating	Commercial
12	Press Adapters	Brass Fitting w/EPDM O-Ring (1/2" - 2")	B283 C27450
		Copper (2 1/2" - 3")	B88
13	O-Ring	EPDM	
14	Backing Seal	Acetal	
15	Backing Ring	304 Stainless Steel	A276

(1) Ball and stem are stainless for BA100S P2



Note: 2 1/2" & 3" are built from BA-150/150S



## DIMENSIONS

	UNITS	1/2"	3/4"	1"	1-1/4"	1-1/2"	2"	2-1/2"	3"
		DN15	DN20	DN25	DN32	DN40	DN50	DN65	DN80
A (DIA)	INCHES	0.50	0.76	0.88	1.07	1.32	1.57	2.00	2.31
	mm	13	19	22	27	33	40	51	59
STD Insertion	INCHES	0.87	0.98	0.98	1.02	1.42	1.58	1.80	2.10
	mm	22	25	25	26	36	40	46	53
B	INCHES	5.19	6.17	7.17	7.57	8.44	10.30	12.02	13.94
	mm	132	157	182	192	214	262	305	354
D	INCHES	1.91	2.32	2.68	2.82	3.00	3.36	3.47	3.88
	mm	47	59	68	72	76	85	88	99
E	INCHES	3.82	4.55	4.56	6.33	6.33	7.19	7.19	7.19
	mm	94	116	116	161	161	183	183	183

Note: DN (Diameter Nominal)=Metric equivalent size.

†Non-Shock

The information presented on this sheet is correct at time of publication. Milwaukee Valve reserves the right to change design and/or materials without notice. For our Installation, Operation and Maintenance Manual and the most current product information go to [www.milwaukeevalve.com](http://www.milwaukeevalve.com).  
 ⚠ State of California Prop 65 **WARNING: Cancer and Reproductive Harm.** For more information visit [www.p65warnings.ca.gov](http://www.p65warnings.ca.gov).

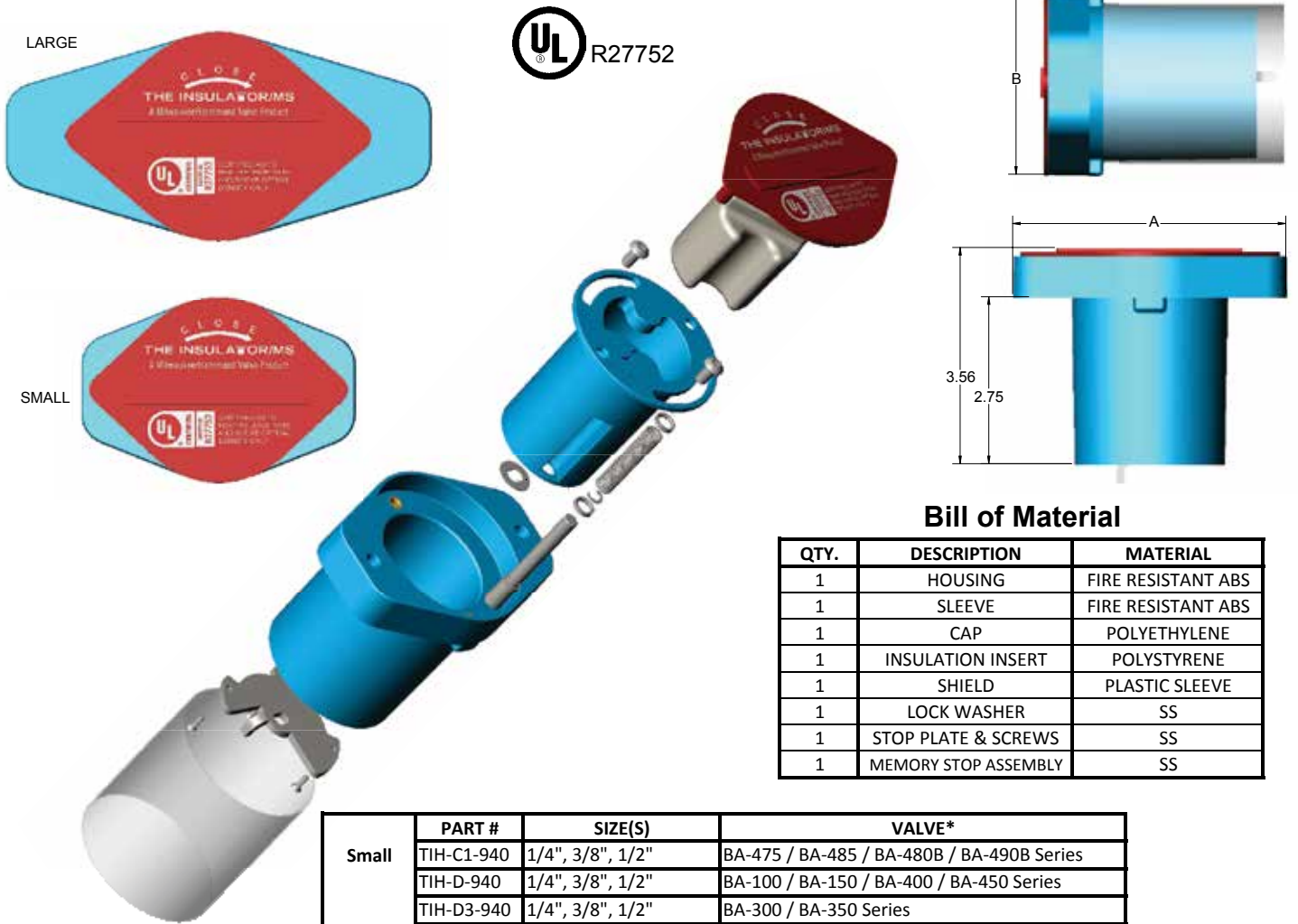


# THE INSULATOR/MS

## Bronze & Brass Ball Valves

Milwaukee Valve's insulated extension handle is designed to prevent condensation and other extraneous moisture from entering your insulated piping system, while also minimizing thermal energy loss from the system via metal extension tubes, levers, and similar parts.

Our handle design incorporates a unique memory stop feature that requires no disassembly or removal of the handle to engage and make adjustments.



### Bill of Material

QTY.	DESCRIPTION	MATERIAL
1	HOUSING	FIRE RESISTANT ABS
1	SLEEVE	FIRE RESISTANT ABS
1	CAP	POLYETHYLENE
1	INSULATION INSERT	POLYSTYRENE
1	SHIELD	PLASTIC SLEEVE
1	LOCK WASHER	SS
1	STOP PLATE & SCREWS	SS
1	MEMORY STOP ASSEMBLY	SS

	PART #	SIZE(S)	VALVE*
Small	TIH-C1-940	1/4", 3/8", 1/2"	BA-475 / BA-485 / BA-480B / BA-490B Series
	TIH-D-940	1/4", 3/8", 1/2"	BA-100 / BA-150 / BA-400 / BA-450 Series
	TIH-D3-940	1/4", 3/8", 1/2"	BA-300 / BA-350 Series
A - 4.50	TIH-F-940	1"	BA-100 / BA-150 Series
		3/4"	BA-100 / BA-150 / BA-400 / BA-450 Series
	TIH-F3-940	3/4"	BA-300 / BA-350 Series
B - 3.06	TIH-H1-940	3/4", 1", 1 1/4", 1 1/2"	BA-475 / BA-485 / BA-480B / BA-490B Series
Large	TIH-J-940	2"	BA-100 / BA-150 Series
		1 1/4", 1 1/2"	BA-100 / BA-150/BA-400 / BA-450 Series
		1"	BA-400 / BA-450 Series
A - 7.00	TIH-J1-940	2"	BA-475 / BA-485 / BA-480B / BA-490B Series
	TIH-J3-940	1", 1 1/4", 1 1/2"	BA-300 / BA-350 Series
	TIH-K-940	2"	BA-400 / BA-450 Series
B - 3.44	TIH-K3-940	2"	BA-300 / BA-350 Series

To order factory assembled to the valve use suffix TIH  
 TIH handle is rated to 275°F. Installation of Solder end valves with the TIH installed: slide the plastic sleeve up to avoid contact with the valve body, wrap the TIH handle with a damp cloth to protect and draw heat away while directing the flame away from the center of the valve during heating.  
 \*Will fit our equivalent Ultrapure Low Lead Valves.

The information presented on this sheet is correct at time of publication. Milwaukee Valve reserves the right to change design and/or materials without notice. For our Installation, Operation and Maintenance Manual and the most current product information go to [www.milwaukeevalve.com](http://www.milwaukeevalve.com).  
 ⚠ State of California Prop 65 **WARNING:** Cancer and Reproductive Harm. For more information visit [www.p65warnings.ca.gov](http://www.p65warnings.ca.gov).

