

BA-100SH/150SH* 1/2"-3/4"

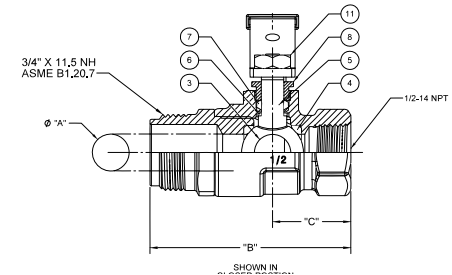
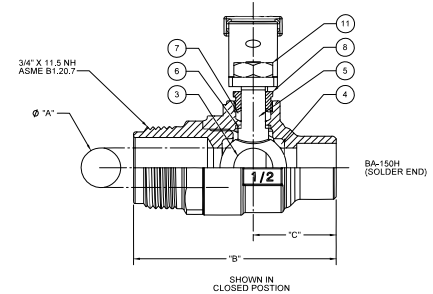
Bronze Ball Valve
Two Piece • Full Port
Threaded x 3/4" Hose End (BA100SH)
Solder x 3/4" Hose End (BA150SH)
Dust Cap and Chain
Blow-Out Proof Stem
MSS SP-110

MATERIALS LIST

ITEM	PART	MATERIALS	ASTM SPEC.
1	Body	Bronze	B584
2	Tailpiece	Brass	B16
3	Ball	316 Stainless Steel	A276
4	Seat	RPTFE, 15% Glass Filled	
5	Stem	316 Stainless Steel	A276
6	Thrust Washer	RPTFE, 25% Glass Filled	
7	Packing	PTFE	
8	Packing Nut	Brass	B16
9	Handle	Steel w/Zinc Plating	Commercial
10	Hand Grip	Vinyl	
11	Handle Nut	Steel w/Zinc Plating	Commercial
12	Dust Cap	Polypropylene	
13	Gasket	EPDM	
14	Chain	Brass Bead	

NOTE: Pressure / Temperature ratings shown are for valve only.
Hose side pressure and temperature limit is based on connected hose
and is the users responsibility.

*Not intended for use in potable water.

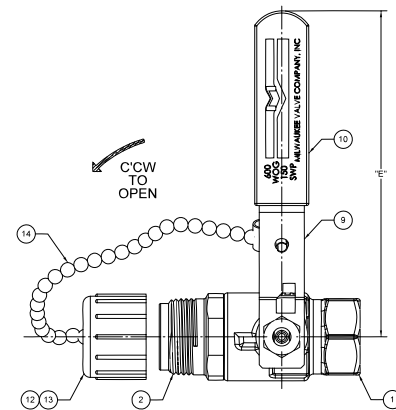


Do not pressurize cap.
Pressure not to exceed 40 psi.

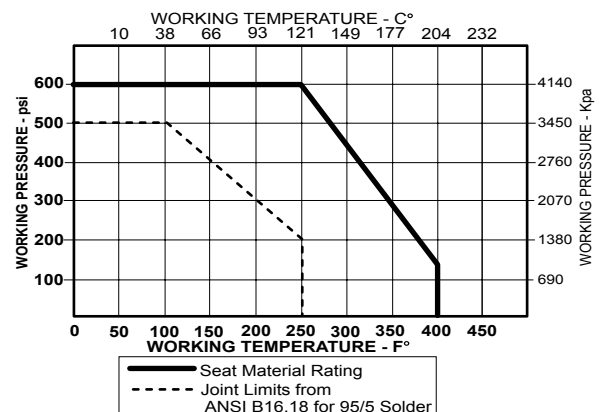
DIMENSIONS

ØA	UNITS	1/2" DN15	3/4" DN20
	INCHES	0.50	0.76
B (BA-100)	INCHES	2.70	2.90
	mm	69	74
B' (BA-150)	INCHES	2.55	3.05
	mm	65	78
C (BA-100)	INCHES	1.10	1.30
	mm	28	33
C' (BA-150)	INCHES	1.10	1.45
	mm	28	37
D	INCHES	1.88	2.14
	mm	48	54
E	INCHES	3.81	4.62
	mm	97	117
F	THREADED INLET	NPT	NPT
Cv		13	30

Note: DN (Diameter Nominal) =
Metric equivalent size.



PRESSURE - TEMPERATURE DATA (See Note)



The information presented on this sheet is correct at time of publication. Milwaukee Valve reserves the right to change design and/or materials without notice. For our Installation, Operation and Maintenance Manual and the most current product information go to www.milwaukeevalve.com.
⚠ State of California Prop 65 **WARNING:** Cancer and Reproductive Harm. For more information visit www.p65warnings.ca.gov.

