

BA-100-TS* 1/2"-2"

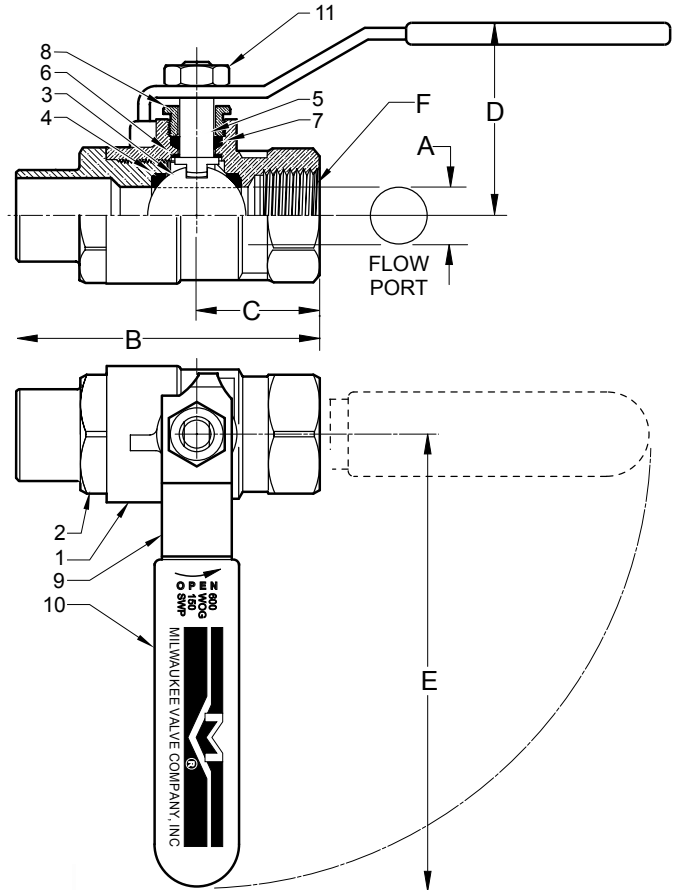
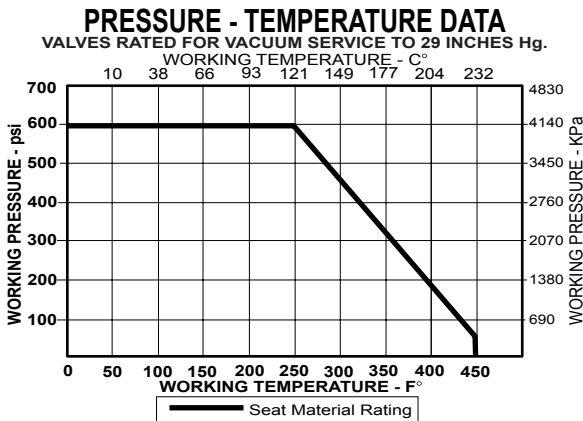
**Bronze Ball Valve
Two Piece
Standard Port (1"-2") Full Port (1/2"-3/4")
600 WOG
Threaded x Solder Ends
Blow-Out Proof Stem
MSS SP-110**

MATERIALS LIST

ITEM	PART	MATERIALS	ASTM SPEC.
1	Body	Cast Bronze	B584
2	Tailpiece	Brass/Bronze (1" & up)	B16/B584
3	Ball	Brass w/Hard Chrome Plating	B16
4	Seat	RPTFE, 15% Glass Filled	
5	Stem	Brass	B16
6	Thrust Washer	RPTFE, 25% Glass Filled	
7	Packing	PTFE	
8	Packing Nut	Brass	B16
9	Handle	Steel w/Zinc Plating	Commercial
10	Hand Grip	Vinyl	
11	Handle Nut	Steel w/Zinc Plating	Commercial

* Please consult factory for more information regarding steam applications.

*Not intended for use in potable water.



DIMENSIONS

	UNITS	1/2" DN15	3/4" DN20	1" DN25	1-1/4" DN32	1-1/2" DN40	2" DN50
A (DIA)	INCHES	0.50	0.76	0.88	1.06	1.31	1.56
	mm	13	19	22	27	33	40
B	INCHES	2.16	2.91	3.53	4.00	4.46	5.27
	mm	55	74	90	102	113	134
C	INCHES	1.07	1.30	1.58	1.74	1.97	2.15
	mm	27	33	40	44	50	55
D	INCHES	1.87	2.08	2.25	2.66	2.84	3.00
	mm	48	53	57	67	72	76
E	INCHES	3.19	4.84	4.84	6.35	6.35	7.20
	mm	81	123	123	161	161	183
F	THREAD SIZE	1/2" NPT	3/4" NPT	1" NPT	1-1/4" NPT	1-1/2" NPT	2" NPT
Cv		13	30	40	52	90	115

Note: DN (Diameter Nominal) = Metric equivalent size.

The information presented on this sheet is correct at time of publication. Milwaukee Valve reserves the right to change design and/or materials without notice. For our Installation, Operation and Maintenance Manual and the most current product information go to www.milwaukeevalve.com.
⚠ State of California Prop 65 **WARNING: Cancer and Reproductive Harm.** For more information visit www.p65warnings.ca.gov.

