

BA-100-TS* 1/2"-2"

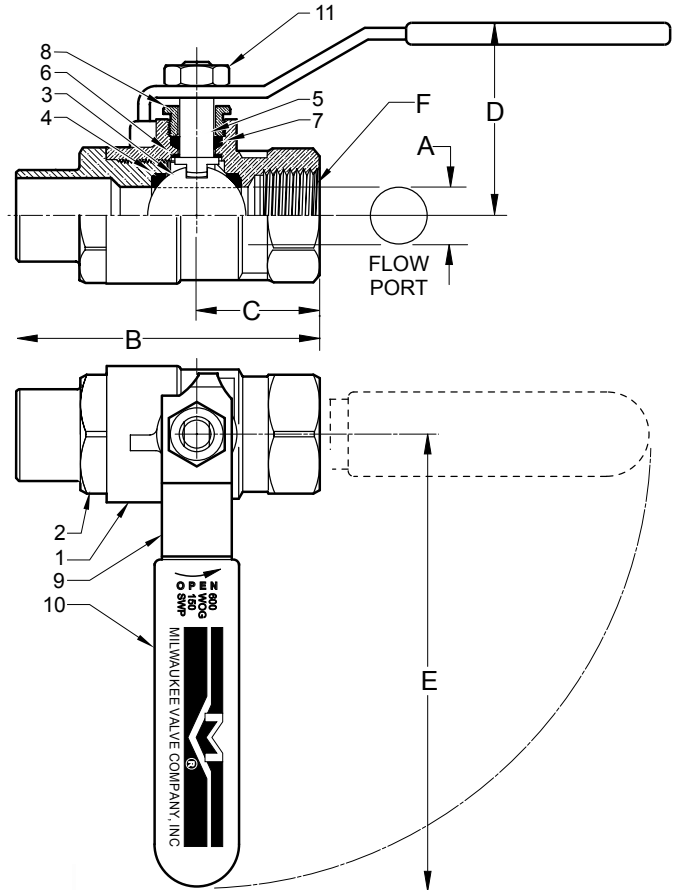
**Bronze Ball Valve
Two Piece
Standard Port (1"-2") Full Port (1/2"-3/4")
600 WOG
Threaded x Solder Ends
Blow-Out Proof Stem
MSS SP-110**

*Not intended for use in potable water.

MATERIALS LIST

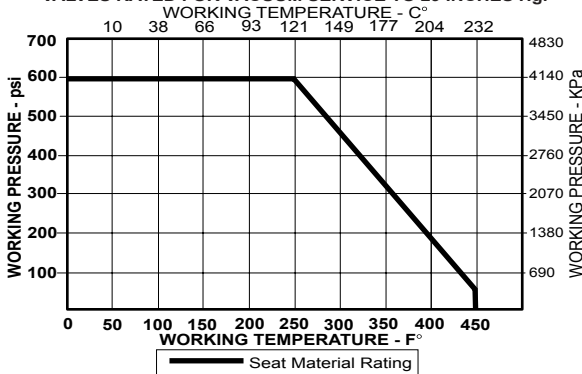
ITEM	PART	MATERIALS	ASTM SPEC.
1	Body	Cast Bronze	B584
2	Tailpiece	Brass/Bronze (1" & up)	B16/B584
3	Ball	Brass w/Hard Chrome Plating	B16
4	Seat	RPTFE, 15% Glass Filled	
5	Stem	Brass	B16
6	Thrust Washer	RPTFE, 25% Glass Filled	
7	Packing	PTFE	
8	Packing Nut	Brass	B16
9	Handle	Steel w/Zinc Plating	Commercial
10	Hand Grip	Vinyl	
11	Handle Nut	Steel w/Zinc Plating	Commercial

* Please consult factory for more information regarding steam applications.



PRESSURE - TEMPERATURE DATA

VALVES RATED FOR VACUUM SERVICE TO 29 INCHES Hg.



DIMENSIONS

	UNITS	1/2" DN15	3/4" DN20	1" DN25	1-1/4" DN32	1-1/2" DN40	2" DN50
A (DIA)	INCHES	0.50	0.76	0.88	1.06	1.31	1.56
	mm	13	19	22	27	33	40
B	INCHES	2.16	2.91	3.53	4.00	4.46	5.27
	mm	55	74	90	102	113	134
C	INCHES	1.07	1.30	1.58	1.74	1.97	2.15
	mm	27	33	40	44	50	55
D	INCHES	1.87	2.08	2.25	2.66	2.84	3.00
	mm	48	53	57	67	72	76
E	INCHES	3.19	4.84	4.84	6.35	6.35	7.20
	mm	81	123	123	161	161	183
F	THREAD SIZE	1/2" NPT	3/4" NPT	1" NPT	1-1/4" NPT	1-1/2" NPT	2" NPT
Cv		13	30	40	52	90	115

Note: DN (Diameter Nominal) = Metric equivalent size.

The information presented on this sheet is correct at time of publication. Milwaukee Valve reserves the right to change design and/or materials without notice. For our Installation, Operation and Maintenance Manual and the most current product information go to www.milwaukeevalve.com.

⚠ State of California Prop 65 **WARNING:** Cancer and Reproductive Harm. For more information visit www.p65warnings.ca.gov.



OPTIONS

BA100/150
BA300/350
BA400/450

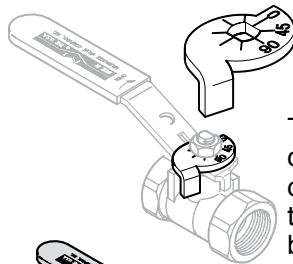
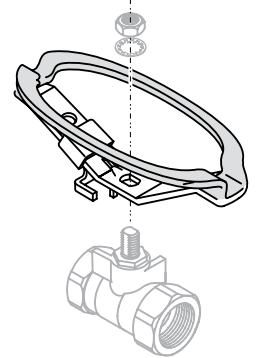
TIH THE INSULATOR/MS Extension Handle

The **THE INSULATOR/MS** extension handle is designed to prevent condensation and other extraneous moisture from entering the insulated piping system, while also minimizing thermal energy loss from the system via metal extension tubes, levers, and similar parts.



The design incorporates a unique memory stop feature that requires no disassembly or removal of the handle to engage and make adjustments.

LO Locking Oval Handle

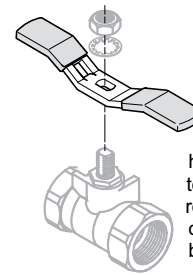
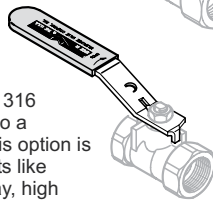


MS Memory Stop

The “MS” Memory Stop offers the convenience of a preset stop when the valve is used in a balancing application. The memory stop can be set from the full closed position, to any preset opening point.

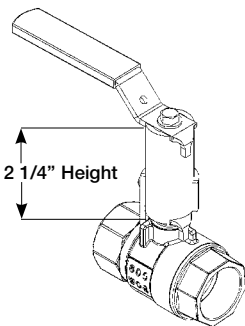
SH Stainless Steel Handle

The “SH” handle option adds a 316 stainless steel handle and nut to a standard bronze ball valve. This option is intended for harsh environments like areas subject to salt water spray, high humidity, harsh cleaning chemicals, etc.



TH Tee Handle

Tee handles offer the same installation space savings as oval handles, with a slightly shorter end to end dimension. Tee handles require more handle force to operate, so accidental openings can be reduced.

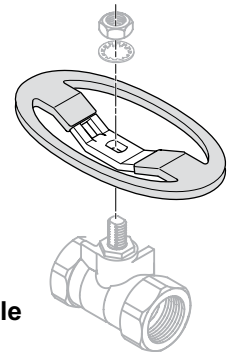


XM Extension Handle with Memory Stop

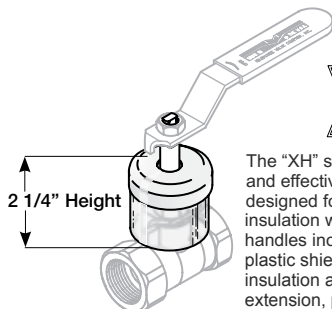
The “XM” stem extension is all-metallic with an adjustable memory stop. This option is designed for installations where pipe insulation would make standard handles inoperable. The adjustable memory stop allows the valve opening to be limited to a preset position. This option can be ordered with or without the memory stop.

OH & LO Milwaukee offers two styles of oval handles, standard oval and a padlocking oval design.

Oval handles can prevent accidental valve operations, since they have less projection than a lever handle, and require more turning force to operate. OSHA requires the use of oval handles in many installations for safety reasons. The locking handle design will accommodate a standard 5/16” pad-lock or other types of valve lockouts.



OH Oval Handle

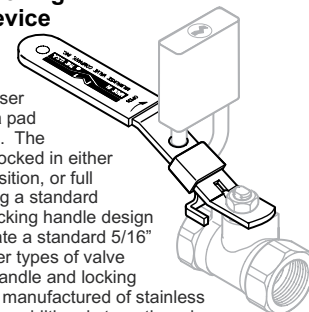


XH Extension Stem

The “XH” stem extension is simple and effective design. This option is designed for installations where pipe insulation would make standard handles inoperable. The external plastic shield helps to keep the insulation away from the stem extension, providing years of trouble free operation.

LD Locking Device

The “LD” Locking Handle offers the end user the security of a pad lockable handle. The handle can be locked in either the full open position, or full closed by adding a standard padlock. The locking handle design will accommodate a standard 5/16” pad-lock or other types of valve lockouts. The handle and locking device are also manufactured of stainless steel material for additional strength and corrosion resistance.



The information presented on this sheet is correct at time of publication. Milwaukee Valve reserves the right to change design and/or materials without notice. For our Installation, Operation and Maintenance Manual and the most current product information go to www.milwaukeevalve.com.
⚠ State of California Prop 65 **WARNING:** Cancer and Reproductive Harm. For more information visit www.p65warnings.ca.gov.

