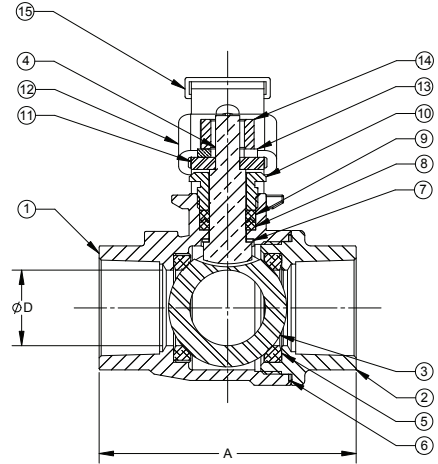


Stainless Steel Ball Valve
Full Port, Locking Lever Handle
1000 WOG
Blow-Out Proof Stem
Specifications: MSS SP110

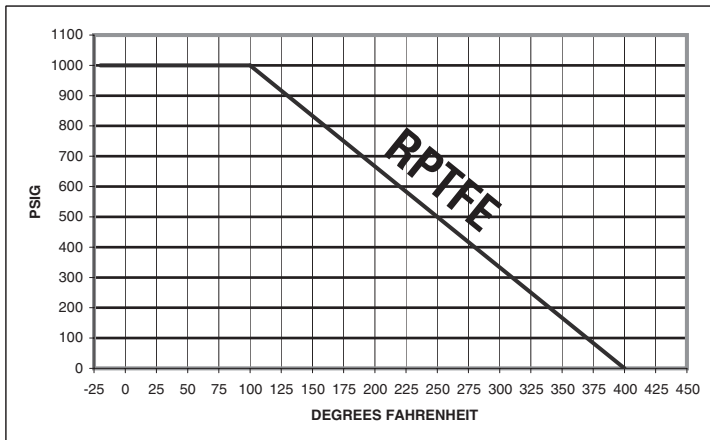
BA260 Series 1/4"-3"

Materials

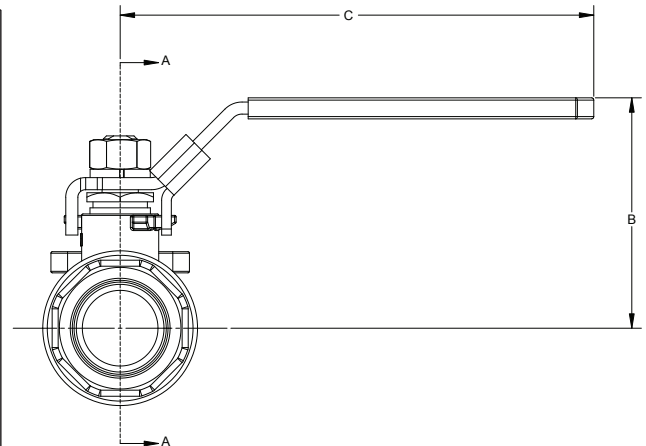
ITEM	QUANTITY	DESCRIPTION	MATERIAL
1	1	BODY	ASTM A351, GRADE CF8M
2	1	TAILPIECE	ASTM A351, GRADE CF8M
3	1	BALL	ASTM A351, GRADE CF8M
4	1	STEM	ASTM A276, TYPE 316
5	2	SEAT	RPTFE
6	1	BODY SEAL	PTFE
7	1	THRUST WASHER	PTFE
8	1	PACKING, MALE	PTFE
9	1	PACKING, FEMALE	PTFE
10	1	GLAND NUT	304 STAINLESS STEEL
11	1	HANDLE	304 STAINLESS STEEL
12	1	LOCKING DEVICE	304 STAINLESS STEEL
13	1	LOCKWASHER	304 STAINLESS STEEL
14	1	HANDLE NUT	ASTM A194, GRADE 8
15	1	HANDLE GRIP	VINYL



Pressure Temperature Chart*



* 150 lb. SWP



DIMENSIONS

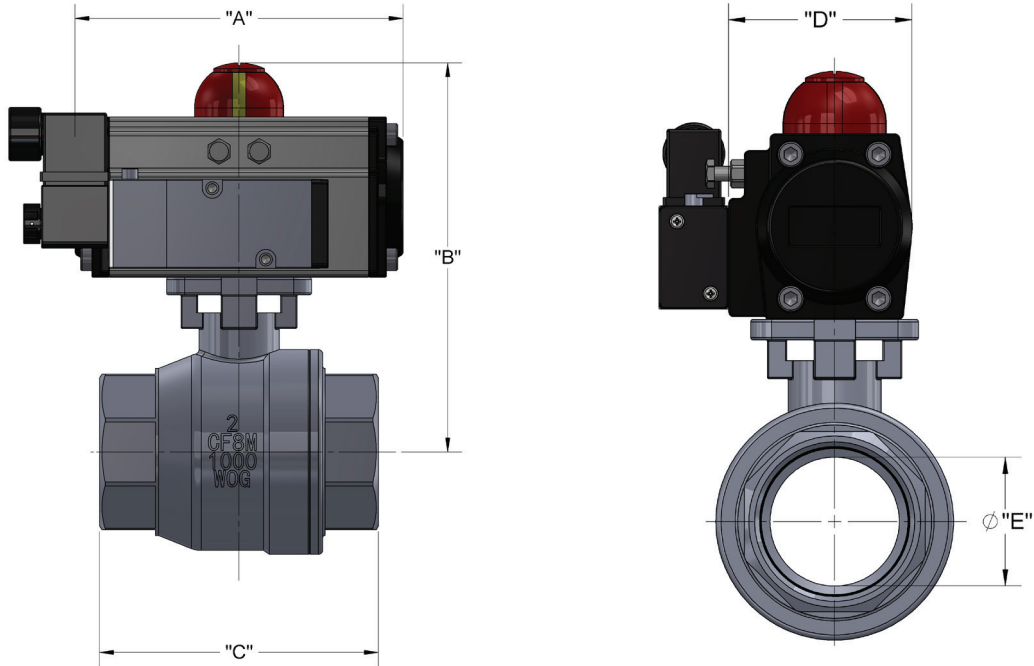
	1/4"	3/8"	1/2"	3/4"	1"	1 1/4"	1 1/2"	2"	2 1/2"	3"
A	2.28	2.28	2.44	2.85	3.35	3.70	4.13	4.92	6.10	6.81
B	2.28	2.28	2.28	2.52	3.03	3.27	3.78	4.02	5.08	5.47
C	3.94	3.94	3.94	5.08	6.14	6.14	7.19	7.19	9.92	9.92
D	0.42	0.50	0.59	0.79	0.98	1.26	1.50	1.97	2.50	2.99

The information presented on this sheet is correct at time of publication. Milwaukee Valve reserves the right to change design and/or materials without notice. For our Installation, Operation and Maintenance Manual and the most current product information go to www.milwaukeevalve.com.
 ⚠ State of California Prop 65 **WARNING: Cancer and Reproductive Harm.** For more information visit www.p65warnings.ca.gov.



BA260LDA 1/4"-3"

Stainless Steel Ball Valve
Full Port
1000 WOG
Air to Air Actuator Pneumatic Actuator
Blow-Out Proof Stem
Specifications: MSS SP110



- CF8M (316 SS) two-piece full port
- 316 SS ball and stem
- TFM 1600 PTFE seats and packing
- 1000 psi rated @ 100° F
- Temp range: -20° to 450° F 50 psi SWP
- Double-acting actuator sized for 80 psi air supply
- 120V four-way NEMA 4/4x NAMUR mounted solenoid
- For on/off service

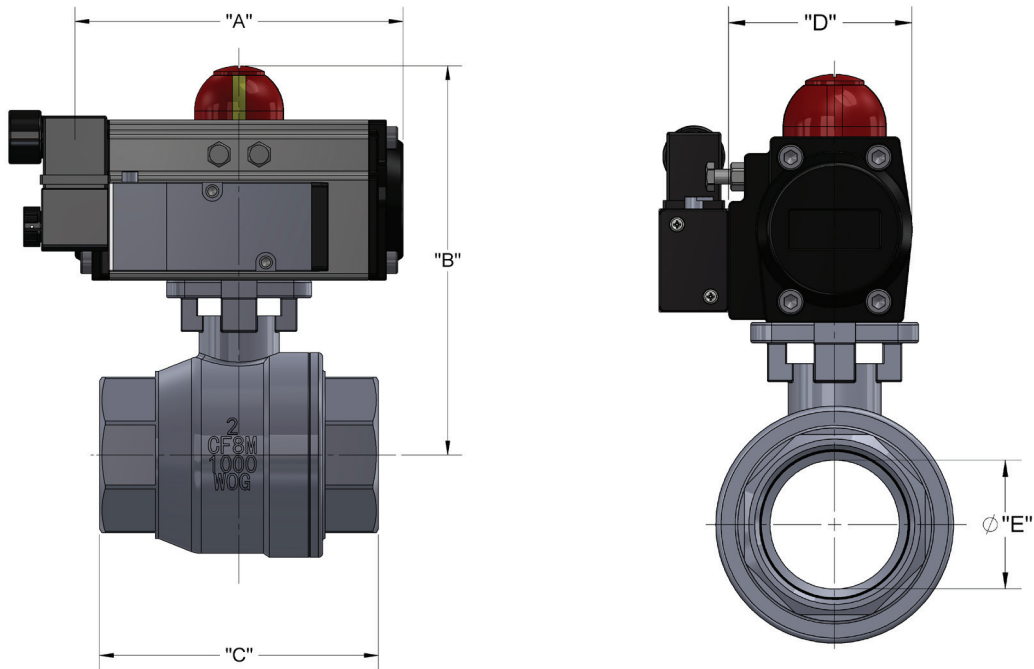
AIR TO AIR ACTUATOR ASSEMBLY DIMENSIONS						
Valve	Model	Dimensions in Inches				
Size	Actuator	A "	B "	C "	D "	E "
1/4	MC2C	5.79	5.27	2.64	2.81	0.42
3/8	MC2C	5.79	5.27	2.64	2.81	0.50
1/2	MC2C	5.79	5.27	2.64	2.81	0.59
3/4	MC2C	5.79	5.55	2.76	2.81	0.79
1	MC2C	5.79	5.90	3.35	2.81	0.98
1 1/4	MC2C	5.79	6.10	3.70	2.81	1.26
1 1/2	MC3C	6.61	7.03	4.13	3.27	1.50
2	MC5C	7.24	7.77	4.92	3.74	1.97
2 1/2	MC7C	8.03	9.07	6.10	4.05	2.50
3	MC10C	10.31	9.68	6.81	4.27	2.99

The information presented on this sheet is correct at time of publication. Milwaukee Valve reserves the right to change design and/or materials without notice. For our Installation, Operation and Maintenance Manual and the most current product information go to www.milwaukeevalve.com.
 ⚠ State of California Prop 65 **WARNING:** Cancer and Reproductive Harm. For more information visit www.p65warnings.ca.gov.



BA260LDB 1/4"-3"

Stainless Steel Ball Valve
 Full Port
 1000 WOG
 Spring Return (Fail Closed) Pneumatic Actuator
 Blow-Out Proof Stem
 Specifications: MSS SP110



- CF8M (316 SS) two-piece full port
- 316 SS ball and stem
- TFM 1600 PTFE seats and packing
- 1000 psi rated @ 100° F
- Temp range: -20° to 450° F 50 psi SWP
- Spring Return (fail closed) actuator size for 80 psi air supply
- 120V three-way NEMA 4/4x NAMUR mounted solenoid
- For on/off service

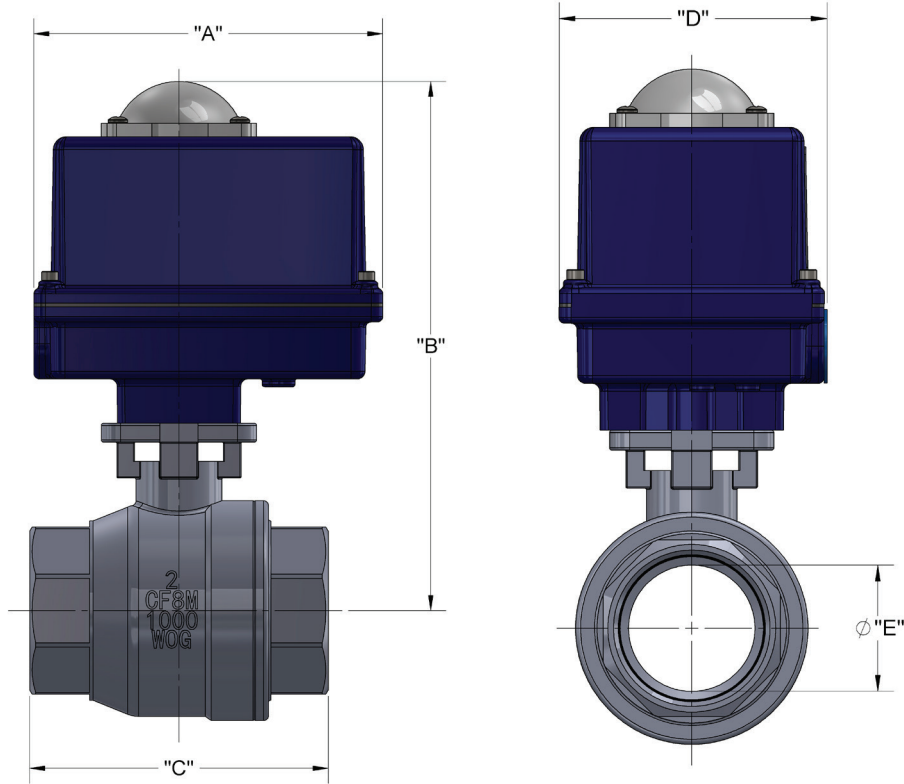
AIR TO AIR ACTUATOR ASSEMBLY DIMENSIONS						
Valve	Model	Dimensions in Inches				
Size	Actuator	A "	B "	C "	D "	E "
1/4	MC2S4C	5.79	5.27	2.64	2.81	0.42
3/8	MC2S4C	5.79	5.27	2.64	2.81	0.50
1/2	MC2S4C	5.79	5.27	2.64	2.81	0.59
3/4	MC3S4C	6.61	7.03	2.76	3.27	0.79
1	MC5SC4	7.24	7.77	3.35	3.74	0.98
1 1/4	MC5SC4	7.24	7.77	3.70	3.74	1.26
1 1/2	MC7SC4	8.03	9.07	4.13	4.05	1.50
2	MC10SC4	10.31	9.07	4.92	4.27	1.97
2 1/2	MC29SC4	11.65	10.89	6.10	5.59	2.50
3	MC29SC4	11.65	11.18	6.81	5.59	2.99

The information presented on this sheet is correct at time of publication. Milwaukee Valve reserves the right to change design and/or materials without notice. For our Installation, Operation and Maintenance Manual and the most current product information go to www.milwaukeevalve.com.
 ⚠ State of California Prop 65 **WARNING:** Cancer and Reproductive Harm. For more information visit www.p65warnings.ca.gov.



BA260LDC 1/4"-3"

Stainless Steel Ball Valve
Full Port
1000 WOG
120VAC Electric Actuator
Blow-Out Proof Stem
Specifications: MSS SP110



- CF8M (316 SS) two-piece full port
- 316 SS ball and stem
- TFM 1600 PTFE seats and packing
- 1000 psi rated @ 100° F
- Temp range: -20° to 450° F 50 psi SWP
- 120VAC NEMA 4 rated electric actuator
- 25% duty cycle
- Two limit switches / Remote light indication
- Manual override
- Visual position indicator
- For on/off service

AIR TO AIR ACTUATOR ASSEMBLY DIMENSIONS						
Valve	Model	Dimensions in Inches				
Size	Actuator	A "	B "	C "	D "	E "
1/4	MCR100	6.44	7.31	2.64	4.13	0.42
3/8	MCR100	6.44	7.31	2.64	4.13	0.50
1/2	MCR100	6.44	7.31	2.64	4.13	0.59
3/4	MCR100	6.44	7.59	2.76	4.13	0.79
1	MCR200	6.88	8.58	3.35	4.25	0.98
1 1/4	MCR200	6.88	8.78	3.70	4.25	1.26
1 1/2	MCR300	6.88	9.10	4.13	4.25	1.50
2	MCR675	7.00	12.10	4.92	7.00	1.97
2 1/2	MCR675	7.00	13.03	6.10	7.00	2.50
3	MCR1000	7.00	13.32	6.81	7.00	2.99

The information presented on this sheet is correct at time of publication. Milwaukee Valve reserves the right to change design and/or materials without notice. For our Installation, Operation and Maintenance Manual and the most current product information go to www.milwaukeevalve.com.

⚠ State of California Prop 65 **WARNING:** Cancer and Reproductive Harm. For more information visit www.p65warnings.ca.gov.

