

# BA-490B\* 1/2"-2"



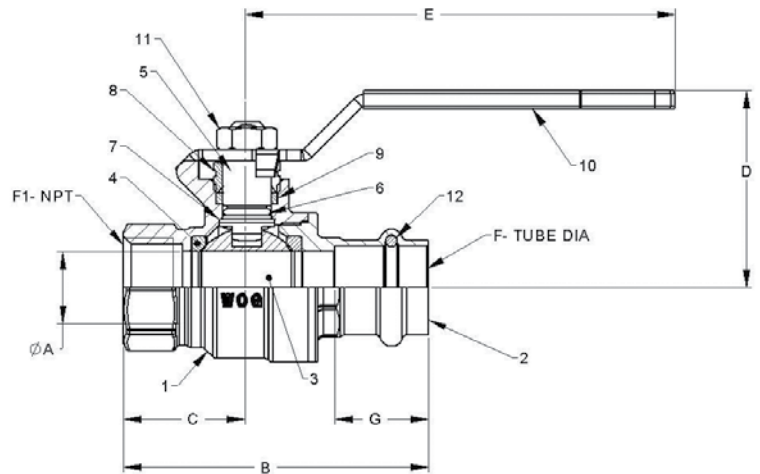
Brass Ball Valve  
Two Piece  
Full Port  
200 psig @ 250°F†  
Press x Threaded Ends  
Blow-Out Proof Stem

\*Not intended for use in potable water.

## MATERIALS LIST

| ITEM | PART          | MATERIALS            | ASTM SPEC.  |
|------|---------------|----------------------|-------------|
| 1    | Body          | Brass, Forged        | B283        |
| 2    | Tailpiece     | Brass, Forged        | B283        |
| 3    | Ball          | CP Brass Ball        | B283        |
| 4    | Ball Seat     | PTFE                 | Commercial  |
| 5    | Stem          | Brass                | B124        |
| 6    | Stem O-Ring   | Buna-N               |             |
| 7    | Thrust Washer | PTFE                 | Commercial  |
| 8    | Gland Nut     | Brass                | B124        |
| 9    | Packing       | PTFE                 | Commercial  |
| 10   | Handle        | Steel w/Zinc Plating | Commercial  |
| 11   | Handle Nut    | Steel w/Zinc Plating | Commercial  |
| 12   | Tube O-Ring   | Plastic              | D2000 NSF61 |

\*UltraPress Valves are designed and qualified for use in copper tubing systems only, Types K, L, & M per ASTM B88.



## DIMENSIONS

|               | UNITS  | 1/2"<br>DN15 | 3/4"<br>DN20 | 1"<br>DN25 | 1-1/4"<br>DN32 | 1-1/2"<br>DN40 | 2"<br>DN50 |
|---------------|--------|--------------|--------------|------------|----------------|----------------|------------|
| A-PORT<br>DIA | INCHES | 0.51         | 0.76         | 0.98       | 1.26           | 1.50           | 2.00       |
|               | mm     | 13           | 19           | 25         | 32             | 38             | 51         |
| B             | INCHES | 2.77         | 3.23         | 3.71       | 4.12           | 4.86           | 6.14       |
|               | mm     | 70           | 82           | 94         | 105            | 123            | 156        |
| C             | INCHES | 1.14         | 1.31         | 1.53       | 1.71           | 1.88           | 2.19       |
|               | mm     | 29           | 33           | 39         | 43             | 48             | 56         |
| D             | INCHES | 1.46         | 1.93         | 2.10       | 2.33           | 2.52           | 2.96       |
|               | mm     | 37           | 49           | 53         | 59             | 64             | 75         |
| E             | INCHES | 3.14         | 4.35         | 4.35       | 5.00           | 5.00           | 6.90       |
|               | mm     | 80           | 110          | 110        | 127            | 127            | 175        |
| F-TUBE<br>DIA | INCHES | 0.63         | 0.88         | 1.13       | 1.38           | 1.63           | 2.13       |
|               | mm     | 15           | 20           | 25         | 32             | 40             | 50         |
| F1 NPT        | INCHES | 1/2"-14      | 3/4"-14      | 1"-11.5    | 1-1/4"-11.5    | 1-1/2"-11.5    | 2"-11.5    |
| G             | INCHES | 0.83         | 1.00         | 1.00       | 1.02           | 1.42           | 1.57       |
|               | mm     | 21           | 25           | 25         | 26             | 36             | 40         |
| Cv            |        | 18           | 40           | 72         | 112            | 161            | 287        |

The information presented on this sheet is correct at time of publication. Milwaukee Valve reserves the right to change design and/or materials without notice. For our Installation, Operation and Maintenance Manual and the most current product information go to [www.milwaukeevalve.com](http://www.milwaukeevalve.com).  
 ⚠ State of California Prop 65 **WARNING:** Cancer and Reproductive Harm. For more information visit [www.p65warnings.ca.gov](http://www.p65warnings.ca.gov).

