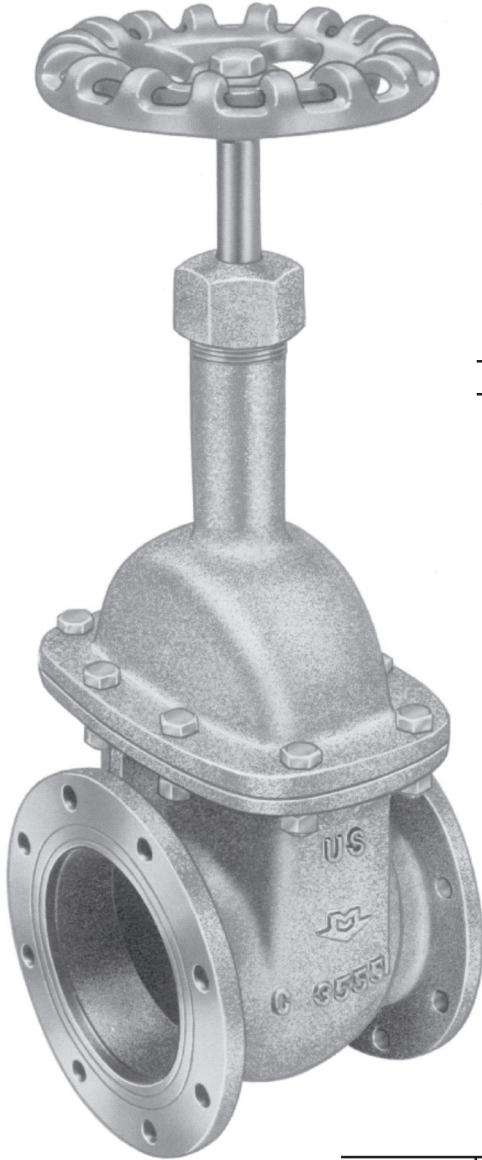


GATE C-35551/5551

ALUMINUM

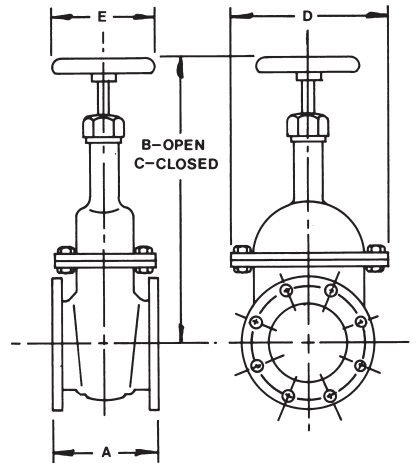
Tank Trucks • Bulk Plants • Filling Stations
 Rising Stem • Double Disc • Bolted Bonnet
 Round Flange Ends



These rugged aluminum with bronze trim gate valves are built for long life with positive closure. Internal parts are quickly and easily replaced.

MILITARY SPECIFICATION

C-35551/5551	Conforms to MIL-V-58039 Type I
--------------	--------------------------------



DIMENSIONS-INCHES

SIZE	A	B	C	D	E
3	5	12 7/8	11 3/8	5 15/16	5
4	5 3/8	15 5/8	14 1/2	7 5/8	5
6	6 1/4	19 3/8	17 1/2	9 7/8	6

FLANGE SPECIFICATIONS-INCHES

SIZE	O.D.	Thickness	B.C. Dia.	Bolt Dia.	No. Bolts
3	5 5/8	3/8	4 7/8	7/16	8
4	6 3/4	3/8	5 7/8	7/16	8
6	9	3/8	8 1/8	7/16	12

The information presented on this sheet is correct at time of publication. Milwaukee Valve reserves the right to change design and/or materials without notice. For our Installation, Operation and Maintenance Manual and the most current product information go to www.milwaukeevalve.com.
 ⚠ State of California Prop 65 **WARNING:** Cancer and Reproductive Harm. For more information visit www.p65warnings.ca.gov.

