



CL Series 14"-24"

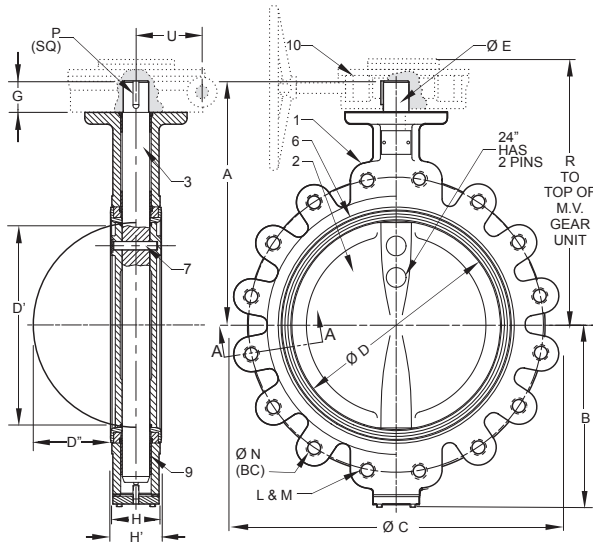
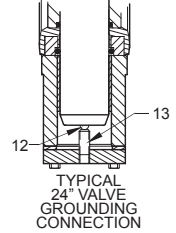
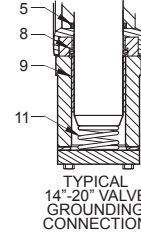
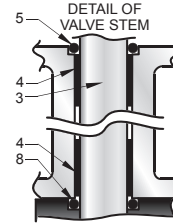
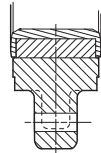
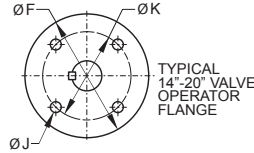
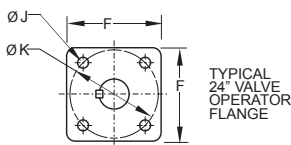


ABS Type Approved;
Cat. A
CFR-46



Tested and Certified by
IAPMO R&T to NSF/ANSI 372
and NSF/ANSI 61

Iron Butterfly Valve for Potable Water
Lug Style
150 psi Non-Shock WOG
Dead End Service to 150 psi Max*
Specifications: MSS SP-67 Type 1



DIMENSIONS

	VALVE SIZE					
	INCHES DN	14	16	18	20	24
A	INCHES mm	15.50 398	16.75 425	18.50 469	19.75 501	22.43 569
B	INCHES mm	11.56 258	12.69 322	13.63 346	15.13 384	18.06 458
C	INCHES mm	21.00 533	23.50 596	25.00 635	27.50 698	32.10 815
D	INCHES mm	13.25 336	15.25 387	17.24 438	19.24 489	23.25 591
D ¹ (Chord Dia.)	INCHES mm	12.94 329	14.77 375	16.70 424	18.64 474	22.49 571
D ¹¹ (Intrusion)	INCHES mm	5.06 128	5.59 142	6.34 161	7.09 180	8.55 217
E	INCHES mm	1.63 41	1.63 41	2.13 54	2.13 54	2.13 54
F	INCHES mm	6.50 165	6.50 165	9.50 241	9.50 241	7.50 190
G	INCHES mm	2.00 50	2.00 50	3.00 76	3.00 76	3.06 77
H (Body)	INCHES mm	3.06 77	4.00 101	4.50 114	5.00 127	6.06 153
H ¹ (Liner)	INCHES mm	3.19 81	4.13 104	4.63 117	5.13 130	6.19 157
J	INCHES mm	0.69 17	0.69 17	0.81 20	0.81 20	0.81 20
K	INCHES mm	5.25 133	5.25 133	7.50 190	7.50 190	7.50 190
L	No. of Holes	12	16	16	20	20
M	Thread Size	1-8	1-8	1 1/8-7	1 1/8-7	1 1/4-7
N	INCHES mm	18.75 476	21.25 540	22.75 577	25.00 635	29.50 749
P (Key Size)	INCHES mm	0.38 9	0.38 9	0.50 12	0.50 12	0.50 12
R	INCHES mm	17.25 438	18.75 476	19.63 458	20.88 530	25.00 635
U	INCHES mm	3.13 79	3.13 79	4.50 114	4.50 114	4.63 117

MATERIALS LIST

ITEM	PART	MATERIALS
1	BODY	CAST IRON ASTM A126 CL. B
2	DISC	ALUMINUM BRONZE ASTM B148
3	STEM	STAINLESS STEEL TYPE 416
4	TOP BEARING	REINFORCED NYLON
5	STEM O-RING	EPDM
6	LINER	EPDM
7	STEM PIN	ANSI 4140 OR AISI 6150
8	LINER O-RING	EPDM
9	LOWER BEARING	REINFORCED NYLON
10	OPERATOR	GEAR OPERATOR
11	GROUNDING SPRING	STAINLESS STEEL TYPE 302
12	GROUNDING BALL	AISI-1022
13	TENSION SCREW	AISI-1020

* Uni-directional

Note: Lead free refers to the wetted surface of the pipe, fittings and fixtures in potable water systems that have a weighted average lead content $\leq 0.25\%$. Source: California Health and Safety Code (116875).

The information presented on this sheet is correct at time of publication. Milwaukee Valve reserves the right to change design and/or materials without notice. For our Installation, Operation and Maintenance Manual and the most current product information go to www.milwaukeevalve.com.

⚠ State of California Prop 65 **WARNING:** Cancer and Reproductive Harm. For more information visit www.p65warnings.ca.gov.



BUTTERFLY FEATURES & OPTIONS

STANDARD FEATURES

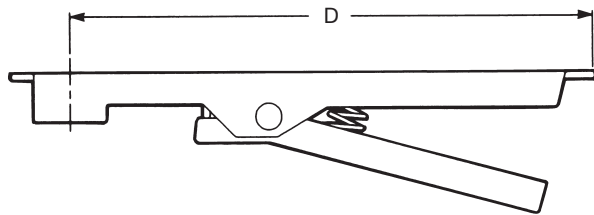
HEAVY DUTY DESIGN
 PHENOLIC CARTRIDGE DESIGN
 LOW TORQUE LINER
 BUBBLE TIGHT SHUT OFF
 LOW TORQUE POLYMER BEARING STD
 DEAD END SERVICE (LUG ONLY)
 FIELD REPAIRABLE

EXTENDED NECK BODY
 LOW PROFILE DISC
 BLOWOUT PROOF STEMS
 STAINLESS STEEL STEMS (416)
 BI-DIRECTIONAL SHUT OFF (EXCEPT AS NOTED)
 VACUUM RATINGS TO 29" OF MERCURY

OPERATORS

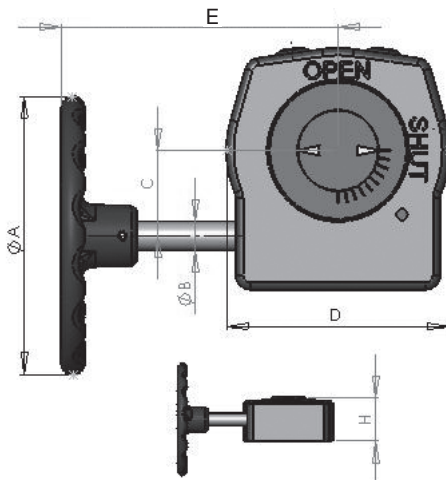
MANUAL

10 POSITION, PAD LOCKABLE, DUCTILE IRON LEVER HANDLE –STD, EPOXY COATING OPTIONAL.



VALVE SIZE	PART NUMBER	D-DIMENSION (inches)
2, 2-1/2, 3	84016-LL	9.00
4, 5	84016-RL	11.00
6	84016-SL	11.00
8	84016-UL	15.00
10, 12	84016-WL	15.00

WEATHER RESISTENT GEAR OPERATOR, CAST IRON, MEMORY STOP AND LOCKING DEVICE OPTIONAL.



VALVE SIZE	PART NUMBER	GEAR RATIO	ØA	ØB	C	D	E	H
2-3	8115-24N-L	24:1	6.00	0.63	1.80	4.20	8.80	2.30
4-5	8115-24N-R	24:1	6.00	0.63	1.80	4.20	8.80	2.30
6	8115-24N-S	24:1	6.00	0.63	1.80	4.20	8.80	2.30
8	8115-30N-U	30:1	9.00	0.75	2.60	6.03	8.50	3.23
10-12	8115-30N-W	30:1	9.00	0.75	2.60	6.03	8.50	3.23
14-16	8115-48N-16	50:1	9.00	0.75	3.10	6.97	13.40	3.46
18-20	8115-65N-20	80:1	12.00	1.00	4.93	10.30	12.60	4.63
24	8115-78N-24	120:1	16.00	1.00	4.93	10.30	12.60	6.00

ACTUATORS

PNEUMATIC ACTUATORS
 DOUBLE ACTING ACTUATORS
 SPRING-RETURN ACTUATORS
 SOLENOID VALVES
 LIMIT SWITCHES
 VALVE POSITIONERS

120 VOLT AC AND DC VOLTAGES
 NEMA 4 AND 7 HOUSING
 4-20 mA DC VALVE POSITIONERS
 ACTUATOR BRACKETS
 EXTRA LIMIT SWITCHES
 ELECTRIC ACTUATORS

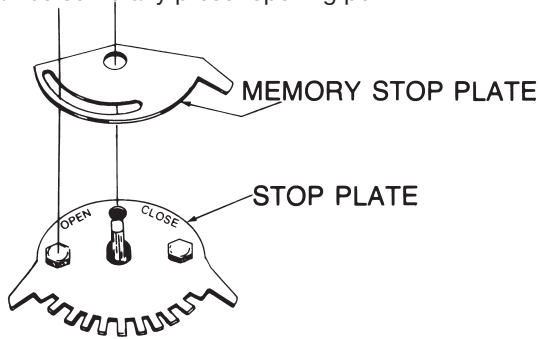
The information presented on this sheet is correct at time of publication. Milwaukee Valve reserves the right to change design and/or materials without notice. For our Installation, Operation and Maintenance Manual and the most current product information go to www.milwaukeevalve.com.
 ⚠ State of California Prop 65 **WARNING:** Cancer and Reproductive Harm. For more information visit www.p65warnings.ca.gov.



OPTIONS & ACCESSORIES

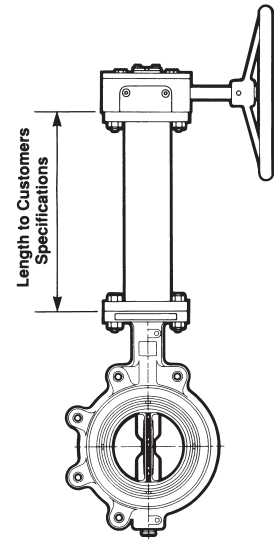
MEMORY STOP

The “MS” Memory Stop provides an adjustable stop when the valve is used in a balancing application. The Memory Stop can be set to any preset opening point.



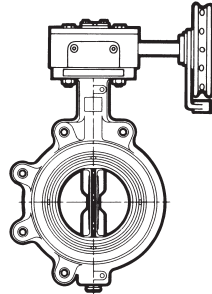
STEM EXTENSION

Provides means of operation at a required distance away from the valve body. Manual or automatic, actuators are easily adapted to mounting flange on the extension. To order, specify distance from valve mounting-flange to base of operator.



CHAINWHEEL

The chain wheel provides for remote operation of the valve in high, normally out-of-reach locations. Attaches to the gear operator easily for quick valve open/close response. Sprocket rim is aluminum; chain is steel. Specify the handwheel diameter (“A” dimension) and chain length. Chain sold separately.



“C”, “M” AND “H” SERIES BUTTERFLY VALVE CHAINWHEEL GUIDE				
VALVE SIZE	HANDWHEEL SIZE (INCHES)	CHAINWHEEL NUMBER	CHAIN SIZE	MASTERLINK
2	6	ARG 1.5	R1-0-C-746	R1-0-ML-746
2.5	6	ARG 1.5	R1-0-C-746	R1-0-ML-746
3	6	ARG 1.5	R1-0-C-746	R1-0-ML-746
4	6	ARG 1.5	R1-0-C-746	R1-0-ML-746
5	6	ARG 1.5	R1-0-C-746	R1-0-ML-746
6	6	ARG 1.5	R1-0-C-746	R1-0-ML-746
8	9	ARG 2.0	R1-0-C-746	R1-0-ML-746
10	9	ARG 2.0	R1-0-C-746	R1-0-ML-746
12	9	ARG 2.0	R1-0-C-746	R1-0-ML-746
14	9	ARG 2.0	R1-0-C-746	R1-0-ML-746
16	9	ARG 2.0	R1-0-C-746	R1-0-ML-746
18	12	ARG 2.5	R4-0-C-746	R4-0-ML-746
20	12	ARG 2.5	R4-0-C-746	R4-0-ML-746
24	16	ARG 3.5	R4-0-C-746	R4-0-ML-746
30	15	ARG 3.5	R4-0-C-746	R4-0-ML-746
36	15	ARG 3.5	R4-0-C-746	R4-0-ML-746
42	15	ARG 3.5	R4-0-C-746	R4-0-ML-746
48	17.5	ARG 3.5	R4-0-C-746	R4-0-ML-746

The information presented on this sheet is correct at time of publication. Milwaukee Valve reserves the right to change design and/or materials without notice. For our Installation, Operation and Maintenance Manual and the most current product information go to www.milwaukeevalve.com.
 ⚠ State of California Prop 65 **WARNING:** Cancer and Reproductive Harm. For more information visit www.p65warnings.ca.gov.

