

CL Series-Rev. D* 2"-12"

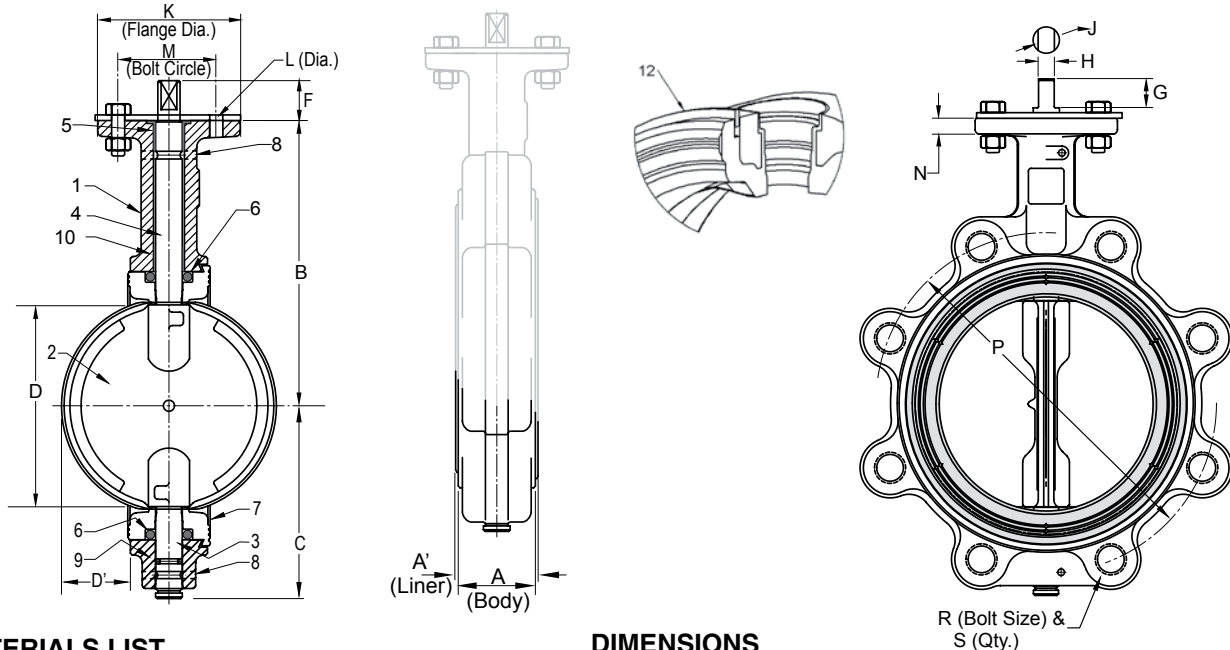
Iron Butterfly Valve for Potable Water
200 psi Non-Shock WOG
Bi-Directional Dead End Service to 200 psi Max
Specifications: API-609 MSS SP-67 Type 1



ABS Type Approved;
Cat. A
CFR-46



Tested and Certified by
IAFMR&T to NSF/ANSI 372
and NSF/ANSI 61



MATERIALS LIST

ITEM	PART	MATERIALS
1	BODY	CAST IRON ASTM A126 CL B
2	DISC	ALUMINUM BRONZE ASTM B148
3	BOTTOM STEM	STAINLESS STEEL TYPE 416
4	TOP STEM	STAINLESS STEEL TYPE 416
5	TOP BEARING	REINFORCED NYLON
6	SEAL	EPDM
7	LINER	EPDM
8	ROLL PIN	STAINLESS STEEL
9	STEM SEAL	EPDM
10	LOWER BEARING	REINFORCED NYLON
11	OPERATOR	LEVER HANDLE
		EPOXY COATED LEVER HANDLE
		GEAR OPERATOR
		GEAR OPERATOR WITH MEMORY STOP
		GEAR OPERATOR WITH LOCK
12	RETAINING RING	ST1066 SPRING STEEL (65Mn)

DIMENSIONS

	INCHES DN	VALVE SIZE								
		2	2-1/2	3	4	5	6	8	10	12
A (Body)	INCHES	1.69	1.81	1.81	2.07	2.19	2.19	2.38	2.69	3.06
	mm	43	46	46	52	55	55	60	68	78
A ¹ (Liner)	INCHES	1.82	1.94	1.94	2.20	2.32	2.32	2.51	2.82	3.21
	mm	46	49	49	55	58	58	63	71	82
B	INCHES	5.50	6.00	6.25	7.00	7.53	8.00	9.38	10.56	12.06
	mm	139	152	158	177	191	203	238	268	306
C	INCHES	3.06	3.31	3.75	4.25	4.94	5.56	5.56	7.88	9.25
	mm	77	84	95	108	125	141	166	200	235
D (Chord Dia)	INCHES	1.49	2.01	2.64	3.67	4.71	5.66	7.72	9.70	11.68
	mm	37	51	67	93	119	143	196	246	296
D ¹ (Intrusion)	INCHES	0.28	0.44	0.69	1.06	1.50	1.94	2.84	3.69	4.50
	mm	7	11	17	27	38	49	72	93	114
F	INCHES	1.13	1.13	1.13	1.13	1.13	1.13	1.50	1.50	1.50
	mm	28	28	28	28	28	28	38	38	38
G	INCHES	0.81	0.81	0.81	0.81	0.81	0.81	1.06	1.06	1.06
	mm	20	20	20	20	20	20	27	27	27
H	INCHES	0.35	0.35	0.35	0.40	0.40	0.44	0.53	0.71	0.71
	mm	8	8	8	10	10	11	13	18	18
J	INCHES	0.50	0.50	0.50	0.56	0.56	0.62	0.75	1.00	1.00
	mm	12	12	12	14	14	14	19	25	25
K	INCHES	4	4	4	4	4	4	6	6	6
	mm	101.6	101.6	101.6	101.6	101.6	101.6	152.4	152.4	152.4
L (Dia)	INCHES	0.44	0.44	0.44	0.44	0.44	0.44	0.56	0.56	0.56
	mm	11	11	11	11	11	11	14	14	14
M	INCHES	3.25	3.25	3.25	3.25	3.25	3.25	5.00	5.00	5.00
	mm	82	82	82	82	82	82	127	127	127
N	INCHES	0.44	0.44	0.44	0.44	0.44	0.44	0.50	0.50	0.50
	mm	11	11	11	11	11	11	12	12	12
P	INCHES	4.75	5.50	6.00	7.50	8.50	9.50	11.75	14.25	17.00
	mm	120	139	152	190	215	241	298	362	431
R	INCHES	5/8-11	5/8-11	5/8-11	5/8-11	3/4-10	3/4-10	3/4-10	7/8-9	7/8-9
	mm	15.875	15.875	15.875	15.875	19.05	19.05	19.05	23.8125	23.8125
S	INCHES	4	4	4	8	8	8	8	12	12
	mm	101.6	101.6	101.6	203.2	203.2	203.2	203.2	304.8	304.8

***Note:** Lead free refers to the wetted surface of the pipe, fittings and fixtures in potable water systems that have a weighted average lead content $\leq 0.25\%$. Source: California Health and Safety Code (116875).

The information presented on this sheet is correct at time of publication. Milwaukee Valve reserves the right to change design and/or materials without notice. For our Installation, Operation and Maintenance Manual and the most current product information go to www.milwaukeevalve.com.

⚠ State of California Prop 65 **WARNING:** Cancer and Reproductive Harm. For more information visit www.p65warnings.ca.gov.



C

L

2

2

3

E

VALVE SERIES

BODY STYLE

OPERATOR

BODY MATERIAL

DISC MATERIAL

LINER MATERIAL

C - C SERIES

L - LUG BODY
W- WAFER BODY

1 - VALVE ONLY
2 - LEVER HANDLE
3 - GEAR OPERATOR

2 - CAST IRON*

3 - ALUMINUM/BRONZE

E - EPDM

* MILWAUKEE VALVE RESERVES THE
RIGHT TO UPGRADE TO DI BODY
WITHOUT NOTICE FOR NO ADDITIONAL
COST.