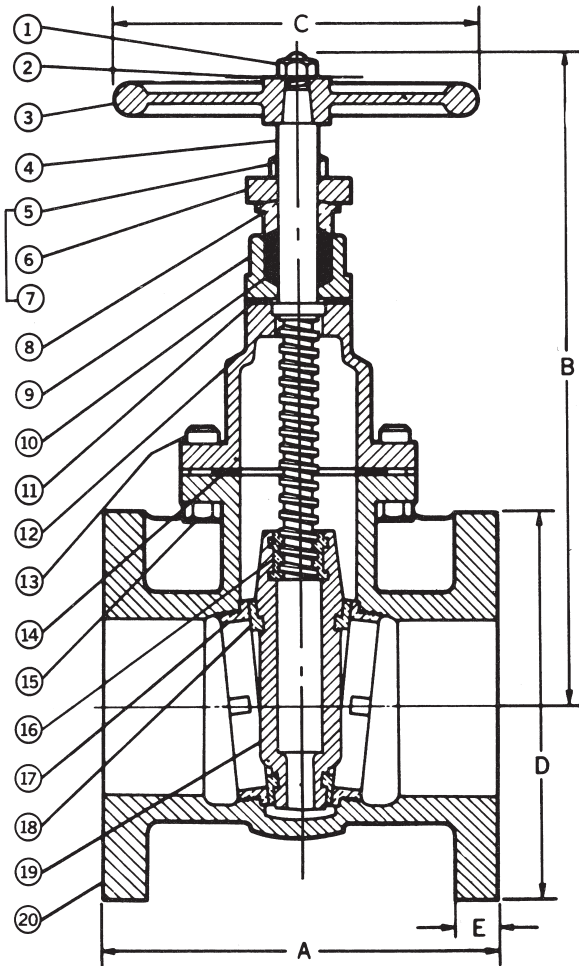


F-2882A 2"-12"

Iron Gate Valve
125 SWP - 200 WOG †
Non-Rising Stem • Solid Wedge Disc
Bolted Bonnet • Flanged Ends
Conforms to: MSS SP-70

Flange shape and drilling to specification ASME B 16.1 (125 lb.)



MATERIAL LIST			
No.	PART	MATERIAL	SPECIFICATION
1	Handwheel Nut	Steel	
2	Name Plate	Aluminum	
3	Handwheel	Cast Iron	ASTM A126, Class B
4	Stem	Brass	ASTM B16
5	Gland Follower Nut	Bronze	
6	Gland Follower	Cast Iron	ASTM A126, Class B
7	Gland Follower Bolt	Steel	
8	Packing Gland	Brass	ASTM B16
9	Stuffing Box	Cast Iron	ASTM A126, Class B
10	Packing	Graphite	
11	Stuffing Box Gasket	Graphite	
12	Bonnet	Cast Iron	ASTM A126, Class B
13	Body Bolt	Steel	
14	Body Gasket	Aramid Fiber/NBR	
15	Body Nut	Steel	
16	Wedge Bushing	Cast Bronze	ASTM B62
17	Seat Ring	Cast Bronze	ASTM B62
18	Wedge Face Ring	Cast Bronze	ASTM B62
19	Wedge	Cast Iron	ASTM A126, Class B
20	Body	Cast Iron	ASTM A126, Class B
21	Stuffing Box Nut (not shown)	Bronze	

DIMENSIONS - INCHES/MILLIMETERS							
Units	Size	A	B	C	D	E	C _v
Inches mm	2	7.00 178	12.00 305	7.00 178	6.00 152	0.63 16	215
Inches mm	2 1/2	7.50 191	13.25 337	7.00 178	7.00 178	0.69 17	335
Inches mm	3	8.00 203	13.50 343	8.00 203	7.50 191	0.75 19	510
Inches mm	4	9.00 229	17.00 432	10.00 254	9.00 229	0.94 24	945
Inches mm	5	10.00 254	18.00 457	12.00 305	10.00 254	0.94 24	1525
Inches mm	6	10.50 267	22.00 559	12.00 305	11.00 279	1.00 25	2250
Inches mm	8	11.50 292	26.50 673	14.00 356	13.50 343	1.13 29	4150
Inches mm	10	13.00 330	30.00 762	16.00 406	16.00 406	1.19 30	6700
Inches mm	12	14.00 356	35.00 889	18.00 457	19.00 483	1.25 32	9925

† Non-Shock

INNOVATION IN EVERY VALVE

The information presented on this sheet is correct at time of publication. Milwaukee Valve reserves the right to change design and/or materials without notice. For our Installation, Operation and Maintenance Manual and the most current product information go to www.milwaukeevalve.com.  State of California Prop 65
WARNING: Cancer and Reproductive Harm. For more information visit www.p65warnings.ca.gov.


MILWAUKEE VALVE