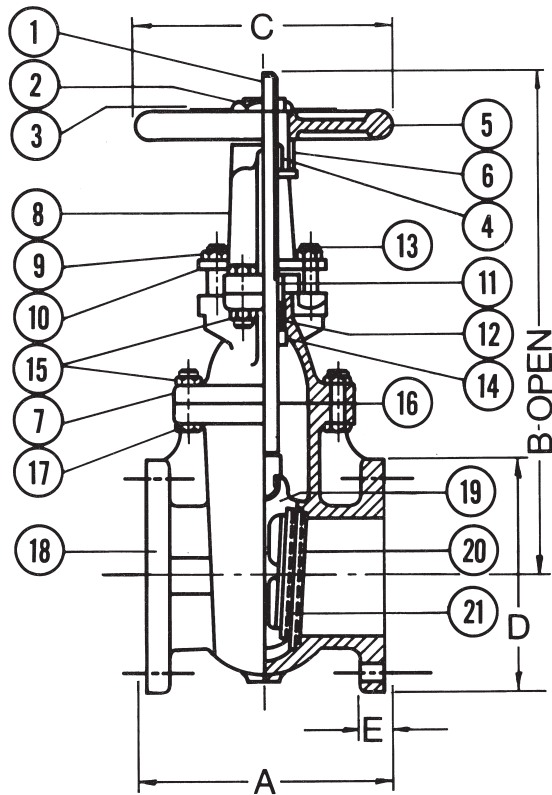
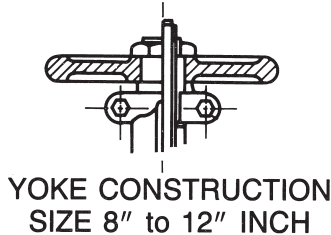


F-2885A 2"-12"

Iron Gate Valve
125 SWP - 200 WOG †
OS & Y • Solid Wedge Disc
Bolted Bonnet • Flanged Ends
Conforms to: MSS SP-70

Flange shape and drilling to specification ASME B 16.1 (125 lb.)



MATERIAL LIST			
No.	PART	MATERIAL	SPECIFICATION
1	Stem	Brass	ASTM B16
2	Handwheel Nut	Ductile Iron	
3	Name Plate	Aluminum	
4	Yoke Bushing	Cast Bronze	ASTM B62
5	Handwheel	Cast Iron	ASTM A126, Class B
6 ²	Yoke Bushing Nut	Cast Iron	ASTM A126, Class B
7 ¹	Bonnet	Cast Iron	ASTM A126, Class B
8 ¹	Yoke	Cast Iron	ASTM A126, Class B
9	Gland Follower Nut	Steel	ASTM A307-B
10	Gland Follower	Ductile Iron	ASTM A536
11	Packing Gland	Cast Bronze	ASTM B62
12	Packing	Graphite	
13	Gland Follower Bolt	Steel	ASTM A307-B
14	Backseat Bushing	Cast Bronze	ASTM B62
15	Nut	Steel	ASTM A307-B
16	Body Gasket	Aramid Fiber/NBR	
17	Bolt	Steel	ASTM A307-B
18	Body	Cast Iron	ASTM A126, Class B
19	Wedge	Cast Iron	ASTM A126, Class B
20	Seat Ring	Cast Bronze	ASTM B62
21	Wedge Face Ring	Cast Bronze	ASTM B62

¹ Sizes 2" to 3" made with yoke integral with bonnet.
 Sizes 4" through 12" made with separate yoke bolted to bonnet.
² Sizes 2" to 3" only

DIMENSIONS - INCHES/MILLIMETERS							
Units	Size	A	B	C	D	E	C _v
Inches	2	7.00	15.00	7.00	6.00	0.63	215
mm		178	381	178	152	16	
Inches	2 1/2	7.50	16.88	7.00	7.00	0.69	335
mm		191	429	178	178	17	
Inches	3	8.00	18.75	8.00	7.50	0.75	510
mm		203	476	203	191	19	
Inches	4	9.00	22.75	10.00	9.00	0.94	945
mm		229	578	254	229	24	
Inches	5	10.00	27.13	12.00	10.00	0.94	1525
mm		254	689	305	254	24	
Inches	6	10.50	30.13	12.00	11.00	1.00	2250
mm		267	765	305	279	25	
Inches	8	11.50	40.13	14.00	13.50	1.13	4150
mm		292	1019	356	343	29	
Inches	10	13.00	48.25	16.00	16.00	1.81	6700
mm		330	1226	406	406	46	
Inches	12	14.00	56.88	18.00	19.00	1.25	9925
mm		356	1445	457	483	32	

† Non-Shock



The information presented on this sheet is correct at time of publication. Milwaukee Valve reserves the right to change design and/or materials without notice. For our Installation, Operation and Maintenance Manual and the most current product information go to www.milwaukeevalve.com.  State of California Prop 65
WARNING: Cancer and Reproductive Harm. For more information visit www.p65warnings.ca.gov.

