

F-2885-FP 2 1/2" - 8"

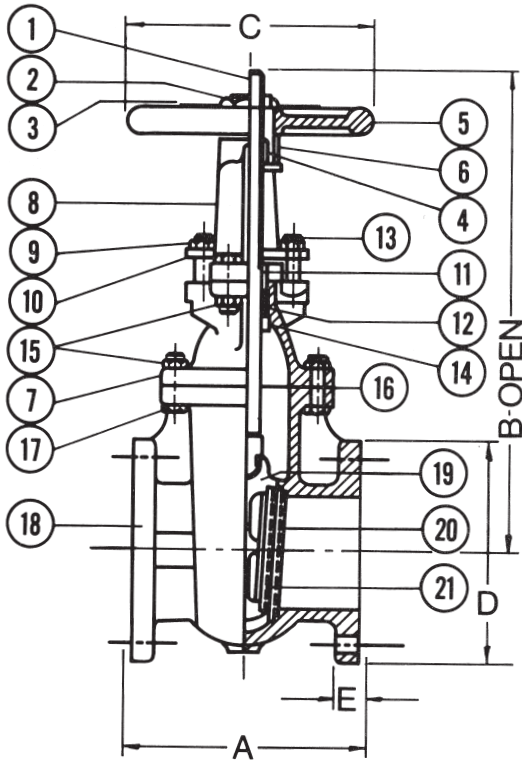
Iron Gate Valve
175 WOG †

NEW YORK CITY BOARD OF STANDARDS and APPROVAL

Approvals: U.L. Listed, F.M.,
N.Y.C. B.S.A. No. 278-90-SM



OS & Y • Solid Wedge Disc
Bolted Bonnet • Flanged Ends



MATERIAL LIST

| No. | PART | MATERIAL | SPECIFICATION |
|----------------|---------------------|------------------|--------------------|
| 1 | Stem | Silicon Brass | 1 ASTM B98 |
| 2 | Handwheel Nut | Ductile Iron | ASTM A636 |
| 3 | Name Plate | Aluminum | |
| 4 | Yoke Bushing | Brass | ASTM B16 |
| 5 | Handwheel | Cast Iron | ASTM A126, Class B |
| 6 ² | Yoke Bushing Nut | Cast Iron | ASTM A126, Class B |
| 7 ³ | Bonnet | Cast Iron | ASTM A126, Class B |
| 8 ³ | Yoke | Cast Iron | ASTM A126, Class B |
| 9 | Gland Follower Nut | Steel | ASTM A563 |
| 10 | Gland Follower | Ductile Iron | ASTM A536 |
| 11 | Packing Gland | Brass | ASTM B16 |
| 12 | Packing | Graphite | |
| 13 | Gland Follower Bolt | Steel | ASTM A307-B |
| 14 | Backseat Bushing | Brass | ASTM B16 |
| 15 | Nut | Steel | ASTM A563 |
| 16 | Body Gasket | Aramid Fiber/NBR | |
| 17 | Bolt | Steel | ASTM A 307-B |
| 18 | Body | Cast Iron | ASTM A126, Class B |
| 19 | Wedge | Cast Iron | ASTM A126, Class B |
| 20 | Seat Ring | Cast Bronze | ASTM B62 |
| 21 | Wedge Face Ring | Cast Bronze | ASTM B62 |

- ¹ 8" is Brass ASTM B-16
- ² Sizes 2 1/2" to 6" inch only.
- ³ Sizes 2 1/2" and 3" made with yoke integral with bonnet.
Sizes 4" through 8" made with separate yoke bolted to bonnet.

DIMENSIONS - INCHES/MILLIMETERS

| Units | Size | A | B | C | D | E | C _v |
|--------|-------|-------|-------|-------|-------|------|----------------|
| Inches | 2 1/2 | 7.50 | 16.00 | 7.00 | 7.00 | 0.69 | 335 |
| mm | | 191 | 406 | 178 | 178 | 17 | |
| Inches | 3 | 8.00 | 18.50 | 7.50 | 7.50 | 0.75 | 510 |
| mm | | 203 | 470 | 191 | 191 | 19 | |
| Inches | 4 | 9.00 | 22.25 | 8.00 | 9.00 | 0.94 | 945 |
| mm | | 229 | 565 | 203 | 229 | 24 | |
| Inches | 6 | 10.50 | 30.50 | 11.75 | 11.00 | 1.00 | 2250 |
| mm | | 267 | 775 | 298 | 279 | 25 | |
| Inches | 8 | 11.50 | 38.38 | 13.50 | 13.50 | 1.13 | 4150 |
| mm | | 292 | 975 | 343 | 343 | 29 | |

INNOVATION IN EVERY VALVE

The information presented on this sheet is correct at time of publication. Milwaukee Valve reserves the right to change design and/or materials without notice. For our Installation, Operation and Maintenance Manual and the most current product information go to www.milwaukeevalve.com. State of California Prop 65
WARNING: Cancer and Reproductive Harm. For more information visit www.p65warnings.ca.gov.



MILWAUKEE VALVE