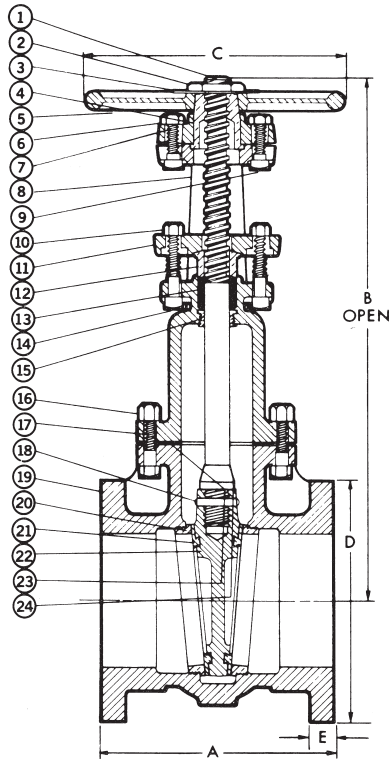


F-2885-M13 2"-12"

Iron Gate Valve
125 SWP - 200 WOG †
3% Nickel Iron Body
OS & Y • Solid Wedge Disc
Bolted Bonnet • Flanged Ends
S.S. Trim
Conforms to: MSS SP-70



MATERIAL LIST			
No.	PART	MATERIAL	SPECIFICATION
1	Stem		ASTM A182 F316
2	Handwheel Nut	Steel or Ductile Iron	ASTM A395
3	Name Plate	Aluminum	
4	Yoke Bushing	Ductile Iron	ASTM A395
5	Handwheel	Cast Iron	ASTM A126, Class B
6	Bonnet Cap Nut	Steel	
7	Bonnet Cap	Ductile Iron	ASTM A395
8 ¹	Bonnet	3% Nickel Iron	ASTM A126, Class B
9	Bonnet Cap Bolt	Steel	
10	Gland Follower Nut	Steel	
11	Gland Follower	Ductile Iron	ASTM A395
12	Packing Gland		ASTM B276-316
13	Packing	Graphite	
14	Gland Follower Bolt	Steel	
15	Backseat Bushing		ASTM B 276-316
16	Body Nut	Steel	
17	Body Bolt	Steel	
18	Wedge Pin		ASTM B276-316
19	Body	3% Nickel Iron	ASTM A126, Class B
20	Seat Ring		ASTM A351 CF8M
21	Wedge Face Ring		ASTM A351 CF8M
22	Wedge	3% Nickel Iron	ASTM A126, Class B
23	Body Gasket	Graphite Non-Asb. Fibers	
24	Stem Collar		ASTM B276-316
25	Grease Fitting (not shown)	Steel	

¹ Sizes through 8" made with yoke integral with bonnet. 10" and 12" sizes made with separate yoke bolted to bonnet.
 Suffix M – Signifies "MILVACO" International Series Valves.

Note 1: The wetted surface of this product contacted by consumable water contains less than one quarter of one percent (.25%) of lead by weight. Meets the requirements of Senate law S.3874.

DIMENSIONS - INCHES/MILLIMETERS							
Units	Size	A	B	C	D	E	C _v
Inches	2	7.00	15.00	7.00	6.00	0.63	215
mm		178	381	178	152	16	
Inches	2 1/2	7.50	16.88	7.00	7.00	0.69	335
mm		191	429	178	178	17	
Inches	3	8.00	18.75	8.00	7.50	0.75	510
mm		203	476	203	191	19	
Inches	4	9.00	22.75	10.00	9.00	0.94	945
mm		229	578	254	229	24	
Inches	5	10.00	27.13	12.00	10.00	0.94	1525
mm		254	689	305	254	24	
Inches	6	10.50	30.13	12.00	11.00	1.00	2250
mm		267	765	305	279	25	
Inches	8	11.50	40.13	14.00	13.50	1.13	4150
mm		292	1019	356	343	29	
Inches	10	13.00	48.25	16.00	16.00	1.81	6700
mm		330	1226	406	406	46	
Inches	12	14.00	56.88	18.00	19.00	1.25	9925
mm		356	1445	457	483	32	

Also available in 14", 16", 18", 20" and 24" on special order.
 150 psi non-shock cold water, oil or gas.



The information presented on this sheet is correct at time of publication. Milwaukee Valve reserves the right to change design and/or materials without notice. For our Installation, Operation and Maintenance Manual and the most current product information go to www.milwaukeevalve.com. State of California Prop 65
WARNING: Cancer and Reproductive Harm. For more information visit www.p65warnings.ca.gov.

