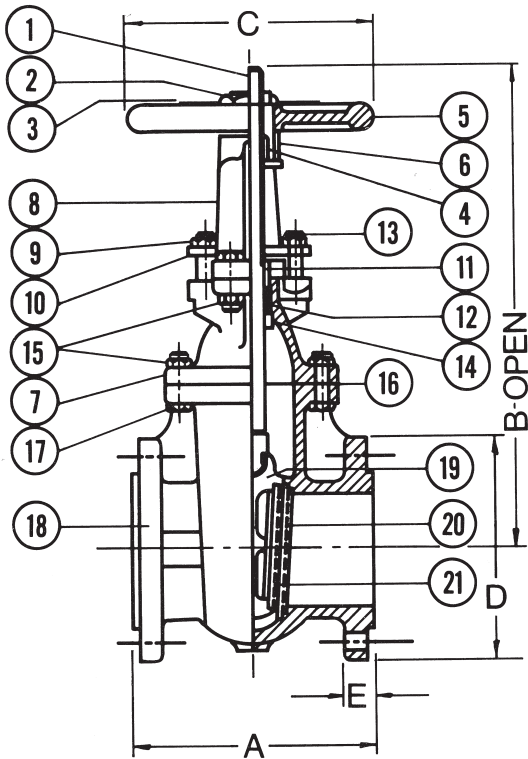


# F-2894A 2"-12"

**Iron Gate Valve**  
**250 SWP - 500 WOG †**  
**OS & Y • Solid Wedge Disc**  
**Bolted Bonnet • Flanged Ends**  
**Conforms to: MSS SP-70**

Flange shape and drilling to specification ASME B 16.1 (250 lb.)



MATERIAL LIST			
No.	PART	MATERIAL	SPECIFICATION
1	Stem	Brass	ASTM B16
2	Handwheel Nut	Ductile Iron	
3	Name Plate	Aluminum	
4	Yoke Bushing	Cast Bronze	ASTM B62
5	Handwheel	Cast Iron	ASTM A126, Class B
6 <sup>2</sup>	Yoke Bushing Nut	Cast Iron	ASTM A126, Class B
7 <sup>1</sup>	Bonnet	Cast Iron	ASTM A126, Class B
8 <sup>1</sup>	Yoke	Cast Iron	ASTM A126, Class B
9	Gland Follower Nut	Steel	ASTM A307-B
10	Gland Follower	Ductile Iron	ASTM A 536
11	Packing Gland	Cast Bronze	ASTM B62
12	Packing	Graphite	
13	Gland Follower Bolt	Steel	ASTM A307-B
14	Backseat Bushing	Cast Bronze	ASTM B62
15	Nut	Steel	ASTM A307-B
16	Body Gasket	Aramid Fiber/NBR	
17	Bolt	Steel	ASTM A307-B
18	Body	Cast Iron	ASTM A126, Class B
19	Wedge	Cast Iron	ASTM A126, Class B
20	Seat Ring	Cast Bronze	ASTM B62
21	Wedge Face Ring	Cast Bronze	ASTM B62

- <sup>1</sup> Sizes 2" to 3" made with yoke integral with bonnet.
- <sup>2</sup> Sizes 4" through 12" made with separate yoke bolted to bonnet.

DIMENSIONS - INCHES/MILLIMETERS							
Units	Size	A	B	C	D	E	C <sub>v</sub>
Inches	2	8.50	16.00	8.00	6.50	0.88	215
mm		216	406	203	165	22	
Inches	2 1/2	9.50	16.88	8.00	7.50	1.00	335
mm		241	429	203	191	25	
Inches	3	11.13	19.38	10.00	8.25	1.13	510
mm		283	492	254	210	29	
Inches	4	12.00	23.63	12.00	10.00	1.25	945
mm		305	600	305	254	32	
Inches	5	15.00	27.75	12.00	11.00	1.38	1525
mm		381	705	305	279	35	
Inches	6	15.88	32.38	14.00	12.50	1.44	2250
mm		403	822	356	318	37	
Inches	8	16.50	40.50	16.00	15.00	1.63	4150
mm		419	1245	406	381	41	
Inches	10	18.00	49.00	18.00	17.50	1.88	6700
mm		457	1245	457	445	48	
Inches	12	19.75	56.88	20.00	20.50	2.00	9925
mm		502	1445	508	521	51	

† Non-Shock



The information presented on this sheet is correct at time of publication. Milwaukee Valve reserves the right to change design and/or materials without notice. For our Installation, Operation and Maintenance Manual and the most current product information go to [www.milwaukeevalve.com](http://www.milwaukeevalve.com). State of California Prop 65  
**WARNING:** Cancer and Reproductive Harm. For more information visit [www.p65warnings.ca.gov](http://www.p65warnings.ca.gov).

