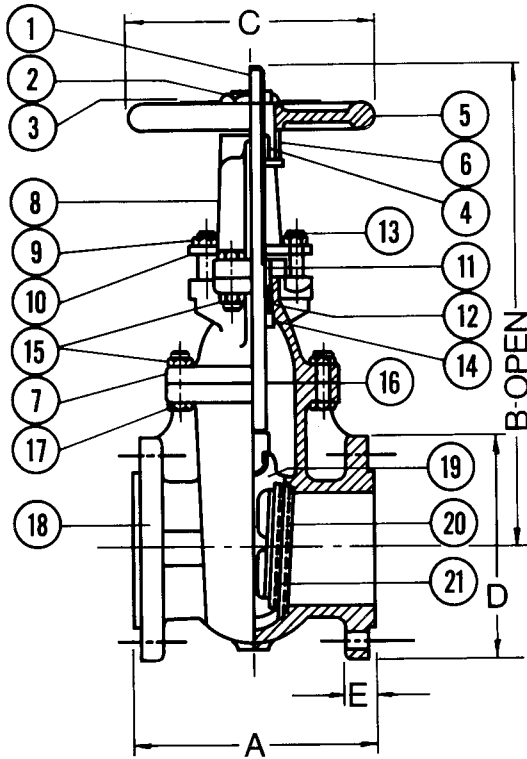


F-2894-M 2"-12"

Iron Gate Valve
250 SWP - 500 WOG †
OS & Y • Solid Wedge Disc
Bolted Bonnet • Flanged Ends
Conforms to: MSS SP-70

Flange shape and drilling to specification ASME B 16.1 (250 lb.)



MATERIAL LIST			
No.	PART	MATERIAL	SPECIFICATION
1	Stem	Brass	ASTM B16
2	Handwheel Nut	Ductile Iron	
3	Name Plate	Aluminum	
4	Yoke Bushing	Cast Bronze	ASTM B62
5	Handwheel	Cast Iron	ASTM A126, Class B
6 ²	Yoke Bushing Nut	Cast Iron	ASTM A126, Class B
7 ¹	Bonnet	Cast Iron	ASTM A126, Class B
8 ¹	Yoke	Cast Iron	ASTM A126, Class B
9	Gland Follower Nut	Steel	ASTM A307-B
10	Gland Follower	Ductile Iron	ASTM A536
11	Packing Gland	Cast Bronze	ASTM B62
12	Packing	Graphite	
13	Gland Follower Bolt	Steel	ASTM A307-B
14	Backseat Bushing	Cast Bronze	ASTM B62
15	Nut	Steel	ASTM A307-B
16	Body Gasket	Graphite	
17	Bolt	Steel	ASTM A307-B
18	Body	Cast Iron	ASTM A126, Class B
19	Wedge	Cast Iron	ASTM A126, Class B
20	Seat Ring	Cast Bronze	ASTM B62
21	Wedge Face Ring	Cast Bronze	ASTM B62

¹ Sizes 2" to 3" made with yoke integral with bonnet.
² Sizes 4" through 12" made with separate yoke bolted to bonnet.

DIMENSIONS - INCHES/MILLIMETERS							
Units	Size	A	B	C	D	E	C _v
Inches mm	2	8.50 216	16.00 406	8.00 203	6.50 165	0.88 22	215
Inches mm	2 1/2	9.50 241	16.88 429	8.00 203	7.50 191	1.00 25	335
Inches mm	3	11.13 283	19.38 492	10.00 254	8.25 210	1.13 29	510
Inches mm	4	12.00 305	23.63 600	12.00 305	10.00 254	1.25 32	945
Inches mm	5	15.00 381	27.75 705	12.00 305	11.00 279	1.38 35	1525
Inches mm	6	15.88 403	32.38 822	14.00 356	12.50 318	1.44 37	2250
Inches mm	8	16.50 419	40.50 1245	16.00 406	15.00 381	1.63 41	4150
Inches mm	10	18.00 457	49.00 1245	18.00 457	17.50 445	1.88 48	6700
Inches mm	12	19.75 502	56.88 1445	20.00 508	20.50 521	2.00 51	9925

Suffix M – Signifies “MILVACO” Series International Valves.
 † Non-Shock



The information presented on this sheet is correct at time of publication. Milwaukee Valve reserves the right to change design and/or materials without notice. For our Installation, Operation and Maintenance Manual and the most current product information go to www.milwaukeevalve.com. State of California Prop 65
WARNING: Cancer and Reproductive Harm. For more information visit www.p65warnings.ca.gov.

