

MW Series 2" - 12"

**Iron Butterfly Valve
Wafer Style
200 psi Non-Shock WOG
Specifications: API-609 MSS SP-67 Type 1**



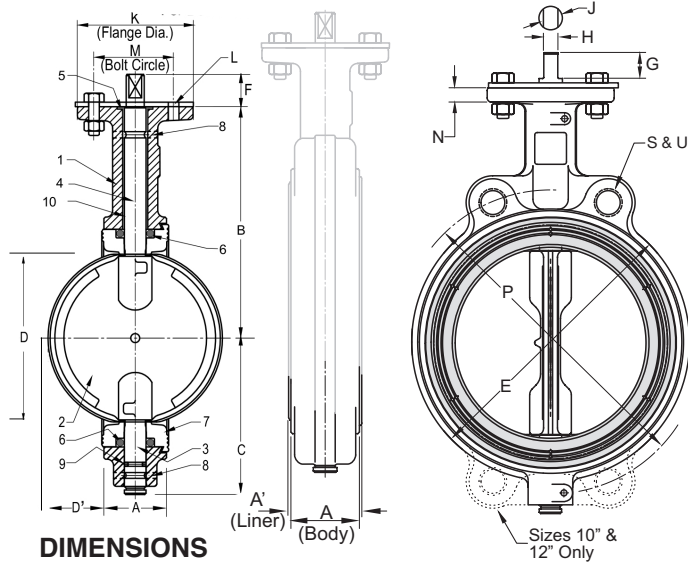
ABS Type Approved; Cat. A
CFR-46

MATERIALS LIST

ITEM	PART	MATERIALS
1	BODY	CAST IRON ASTM A126 CL.B
		DUCTILE IRON ASTM A536
		DUCTILE IRON-EPOXY COATED
2	DISC	NP DUCTILE IRON ASTM A536
		ALUMINUM BRONZE ASTM B148
		STAINLESS STEEL TYPE 316
		NYLON COATED DUCTILE IRON EPOXY COATED DUCTILE IRON
3	BOTTOM STEM	STAINLESS STEEL TYPE 416 STAINLESS STEEL TYPE 316 (2)
4	TOP STEM	STAINLESS STEEL TYPE 416 STAINLESS STEEL TYPE 316 (2)
5	TOP BEARING	REINFORCED NYLON
6	SEAL	EPDM, BUNA, VITON (1)
7	LINER	BUNA
		EPDM
		VITON
		HYPALON
		NEOPRENE BLACK-FDA
		NEOPRENE WHITE-FDA
	TEFLON OVER BUNA (150# WOG)	
8	ROLL PIN	STAINLESS STEEL
9	STEM SEAL	EPDM, BUNA, VITON (1)
10	LOWER BEARING	REINFORCED NYLON
11	OPERATOR	LEVER HANDLE
		EPOXY COATED LEVER HANDLE
		GEAR OPERATOR
		GEAR OPERATOR WITH MEMORY STOP
		GEAR OPERATOR WITH LOCK
		ACTUATOR-AIR/AIR
		ACTUATOR-AIR/SPRING
ACTUATOR-ELECTRIC		

(1) - VITON O-RINGS ARE USED WITH HYPALON, NEOPRENE, AND TEFLON LINERS.

(2) - 316 STEM USED WITH CF8M DISC.



DIMENSIONS

	VALVE SIZE									
	INCHES DN	2	2-1/2	3	4	5	6	8	10	12
A (Body)	INCHES	50	65	80	100	125	150	200	250	300
	mm	1.69	1.81	1.81	2.07	2.19	2.19	2.38	2.69	3.06
A ¹ (Liner)	INCHES	43	46	46	52	55	55	60	68	78
	mm	1.82	1.94	1.94	2.20	2.32	2.32	2.51	2.82	3.21
B	INCHES	46	49	49	55	58	58	63	71	82
	mm	5.50	6.00	6.25	7.00	7.53	8.00	9.38	10.56	12.06
C	INCHES	139	152	158	177	191	203	238	268	306
	mm	3.06	3.31	3.75	4.25	4.94	5.56	5.56	7.88	9.25
D (Chord Dia)	INCHES	77	84	95	108	125	141	166	200	235
	mm	1.49	2.01	2.64	3.67	4.71	5.66	7.72	9.70	11.68
D ¹ (Intrusion)	INCHES	37	51	67	93	119	143	196	246	296
	mm	0.28	0.44	0.69	1.06	1.50	1.94	2.84	3.69	4.50
E	INCHES	7	11	17	27	38	49	72	93	114
	mm	4.13	4.88	5.38	6.88	7.75	8.75	11.00	13.38	16.13
F	INCHES	105	124	137	175	197	222	279	340	410
	mm	1.13	1.13	1.13	1.13	1.13	1.13	1.50	1.50	1.50
G	INCHES	28	28	28	28	28	28	38	38	38
	mm	0.81	0.81	0.81	0.81	0.81	0.81	1.06	1.06	1.06
H	INCHES	20	20	20	20	20	20	27	27	27
	mm	0.35	0.35	0.35	0.40	0.40	0.44	0.53	0.71	0.71
J	INCHES	8	8	8	10	10	11	13	18	18
	mm	0.50	0.50	0.50	0.56	0.56	0.62	0.75	1.00	1.00
K	INCHES	12	12	12	14	14	14	19	25	25
	mm	4	4	4	4	4	4	6	6	6
L (Dia)	INCHES	4	4	4	4	4	4	6	6	6
	mm	0.44	0.44	0.44	0.44	0.44	0.44	0.56	0.56	0.56
M	INCHES	11	11	11	11	11	11	14	14	14
	mm	3.25	3.25	3.25	3.25	3.25	3.25	5.00	5.00	5.00
N	INCHES	82	82	82	82	82	82	127	127	127
	mm	0.44	0.44	0.44	0.44	0.44	0.44	0.50	0.50	0.50
P	INCHES	11	11	11	11	11	11	12	12	12
	mm	4.75	5.50	6.00	7.50	8.50	9.50	11.75	14.25	17.00
R	Flange Bolt Size	120	139	152	190	215	241	298	362	431
S	No. of Holes	5/8-11	5/8-11	5/8-11	5/8-11	3/4-10	3/4-10	3/4-10	7/8-9	7/8-9
U (Hole Dia.)	INCHES	2	2	2	2	2	2	2	4	4
	mm	0.75	0.75	0.75	0.75	0.88	0.88	0.88	1.00	1.00

Note: The wetted surface of this product (In any material combination.) contacted by consumable water contains less than one quarter of one percent (.25%) of lead by weight.

The information presented on this sheet is correct at time of publication. Milwaukee Valve reserves the right to change design and/or materials without notice. For our Installation, Operation and Maintenance Manual and the most current product information go to www.milwaukeevalve.com.

⚠ State of California Prop 65 **WARNING:** Cancer and Reproductive Harm. For more information visit www.p65warnings.ca.gov.



M**L****2****3****4****V****A**

VALVE SERIES	BODY STYLE	OPERATOR	BODY MATERIAL	DISC MATERIAL	LINER MATERIAL	SPECIAL OPTIONS
H - H SERIES (250 PSI)	L - LUG BODY	1 - VALVE ONLY	2 - CAST IRON*	2 - NICKEL PLATED DUCTILE IRON	B - BUNA-N	S - 316 STEM W/AB OR NP DISC
M - M SERIES	W - WAFER BODY	2 - LEVER HANDLE	3 - DUCTILE IRON	3 - ALUMINUM/BRONZE	E - EPDM	A - EPOXY COATED BODY
O - O SERIES		3 - GEAR OPERATOR		4 - CF8M(316) STAINLESS STEEL	H - HYPALON	DA - DRY ASSEMBLED
U - U SERIES (50 PSI)		5 - GEAR W/MEMORY STOP	*MILWAUKEE VALVE	7 - NYLON COATED DUCTILE IRON	NB - FDA BLACK NEOPRENE	
		9 - GEAR WITH LOCK	RESERVES THE RIGHT TO	8 - EPOXY COATED DUCTILE IRON	NW - FDA WHITE NEOPRENE	
			UPGRADE THE BODY		T - TEFLON OVER BUNA	
			WITHOUT NOTICE FOR NO		(AVAILABLE W/SS DISC ONLY)	
			ADDITIONAL COST.		V - VITON	
		*PNEUMATIC AND ELECTRIC				
		ACTUATION OPTIONS AVAILABLE				

Rev 11/4/2021