

## QUARTER-TURN ELECTRIC ACTUATOR TYPE OA

### DESCRIPTION:

Type OA Quarter-turn actuators offer a very compact waterproof body with the same sturdy features of larger industrial actuators:

largely dimensioned worm and quadrant output gear (naturally self locking), ease of adjustment, precise and vibration proof end of travel system, heavy duty motors with internal thermal protection, emergency manual handwheel, easy to read position indicator, ISO flange and removable socket permits direct or indirect mounting on any type of quarter-turn valve.

### SPECIFICATIONS:

Quarter-turn, watertight body to NEMA 4, 4X & 6, proportional position indicator, self locking gear, S4-30% duty rating motor, class F insulated, 2 end of travel switches adjustable over the entire travel, anti-condensation heater, 2 adjustable mechanical stops, thermal protection, emergency handwheel mounted on the final reduction stage, 2 conduit entries, combined with F05/F07 ISO flange.



### TECHNICAL DATA

Type	Torque in-lbs	Operating time s/90°	Flange ISO
OA3	310	5	F05 / 07
OA8	885	5 - 25 - 50	F05 / 07
OA15	1350	15 - 25	F07

### OPTIONS:

- 2 auxillary limit switches (free contacts)
- Position sensor by potentiometer 1000  $\Omega$
- Position transmitter 4-20 mA, type TAM
- INTEGRAL+ local control
- MiniGRAL+ remote control
- MiniGAM+ or PosiGAM+ modulating control

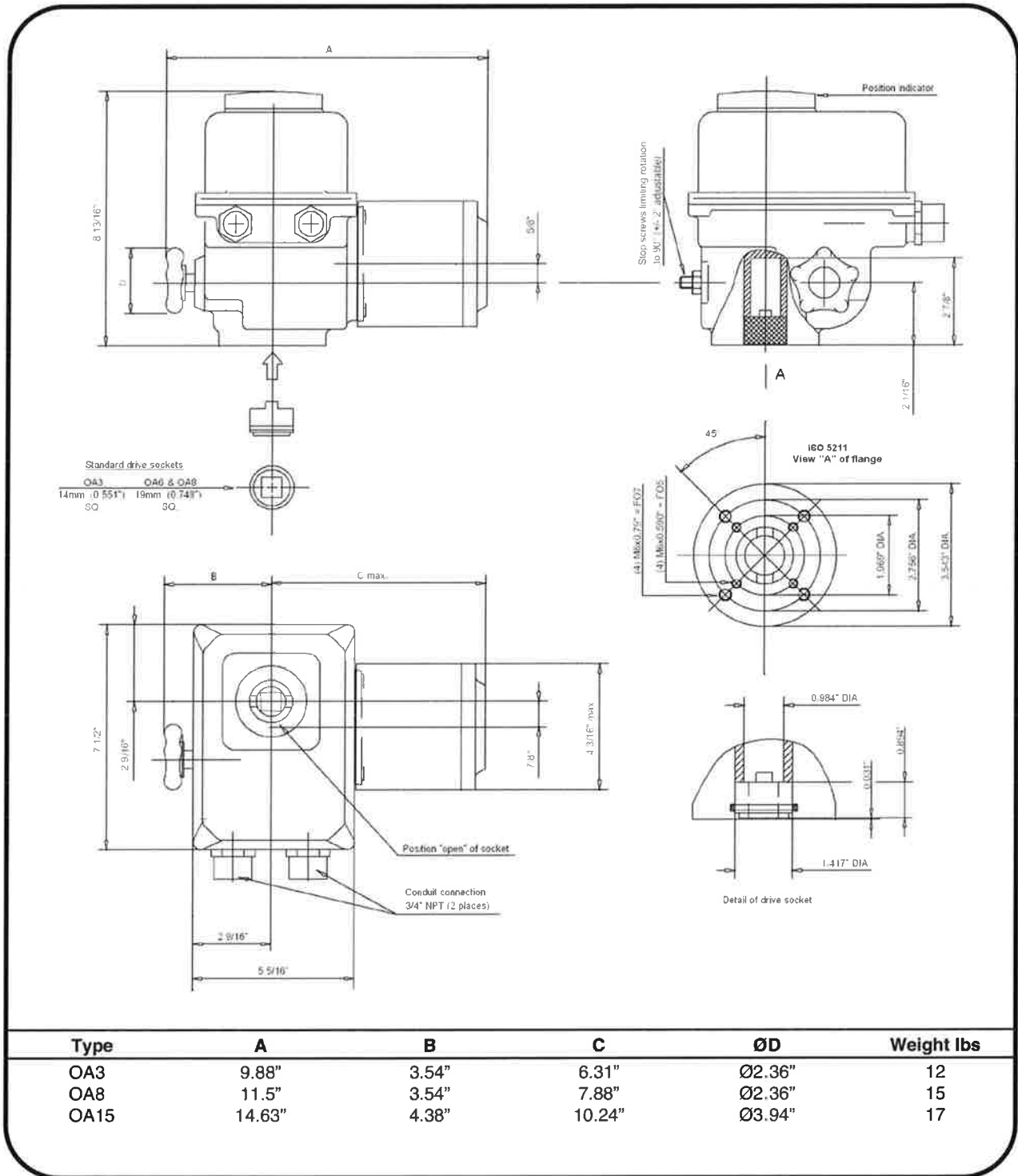
Rev 0313

The information presented on this sheet is correct at the time of publication. Milwaukee Valve / Hammond Valve reserves the right to change design, and/or material specifications without notice. For the most current information access [www.milwaukeevalve.com](http://www.milwaukeevalve.com) or [www.hammondvalve.com](http://www.hammondvalve.com)



# OA Series

## DIMENSIONAL DRAWING:



Note: The OA15 drive socket has 4 engagement claws.

Rev 0313

The information presented on this sheet is correct at the time of publication. Milwaukee Valve / Hammond Valve reserves the right to change design, and/or material specifications without notice. For the most current information access [www.milwaukeevalve.com](http://www.milwaukeevalve.com) or [www.hammondvalve.com](http://www.hammondvalve.com)

