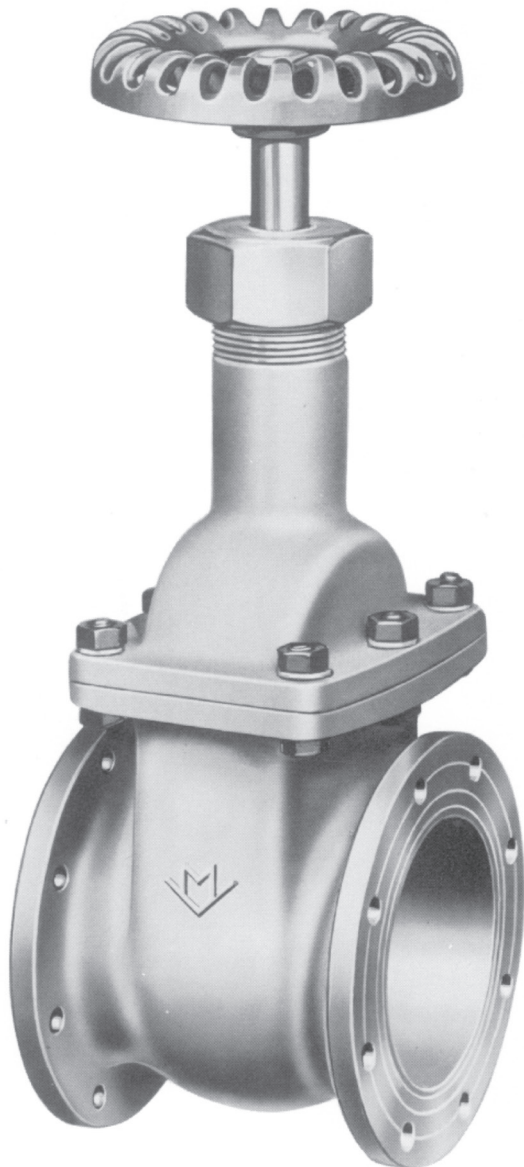
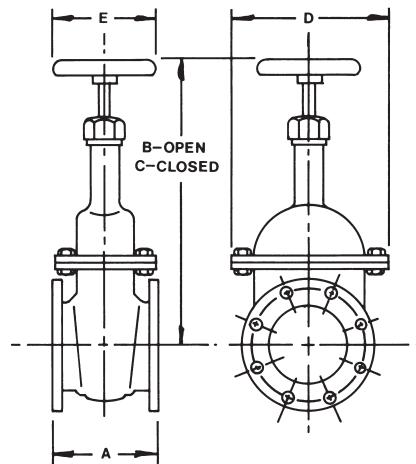


GATE P-2699RF ALUMINUM

Transport Tank • Bulk Plants • Filling Stations
Rising Stem • Split Wedge Disc • Bolted Bonnet
Round Flange Ends



This rugged, lightweight aluminum gate will give you positive closure and long life. Bolted Bonnet, makes inspection, cleaning, repairs or replacement simple and quick. (Formerly C35495).



DIMENSIONS-INCHES

SIZE	A	B	C	D	E
4	5 3/8	15 5/8	14 1/2	7 5/8	5

FLANGE SPECIFICATIONS-INCHES

SIZE	O.D.	Thickness	B.C. Dia.	Bolt Dia.	No. Bolts
4	6 3/4	3/8	5 7/8	7/16	8

The information presented on this sheet is correct at time of publication. Milwaukee Valve reserves the right to change design and/or materials without notice. For our Installation, Operation and Maintenance Manual and the most current product information go to www.milwaukeevalve.com.
⚠ State of California Prop 65 **WARNING:** Cancer and Reproductive Harm. For more information visit www.p65warnings.ca.gov.

