

ANGLE LIFT CHECK P-717F

ALUMINUM

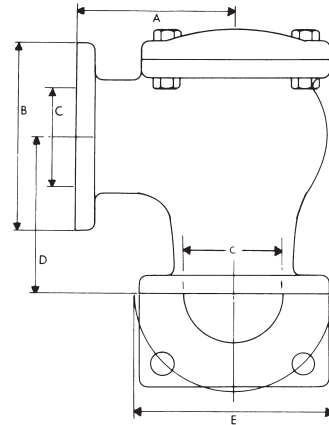
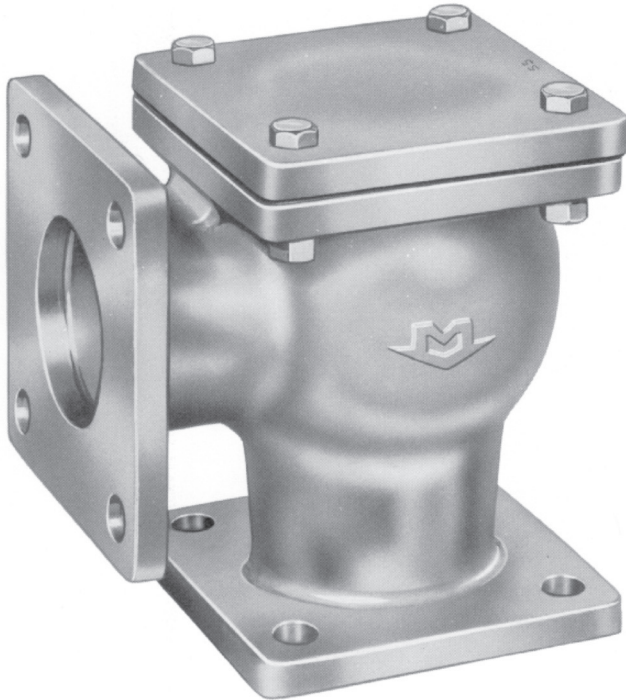
125 psi WOG at 100°F • 25 psi WOG at 350°F
Square Bolted Cap • Square Flange

Lightweight, positive closing, Viton-A* renewable disc.
Stainless steel poppet stem and disc retainers. Guided
top and bottom in friction free bearings.

NOTE: This valve was formerly identified by drawing
number C-35417-F.

Valve must be mounted in upright position.

For 2" Threaded Bronze Angle Check see P-717S.



DIMENSIONS-INCHES

Size	A	B	C	D	E
2 1/2	4	4 3/4	2 1/2	4	5

CAP FLANGE SPECIFICATIONS-INCHES

Size	FLANGE	BOLT DIA.	NO. BOLTS
2	4 3/4 Sq.	3/8	4

*Registered E.I. DuPont Trademark

The information presented on this sheet is correct at time of publication. Milwaukee Valve reserves the right to change design and/or materials without notice. For our Installation, Operation and Maintenance Manual and the most current product information go to www.milwaukeevalve.com.
⚠ State of California Prop 65 **WARNING:** Cancer and Reproductive Harm. For more information visit www.p65warnings.ca.gov.

