

# ANGLE CHECK P-717S

## BRONZE

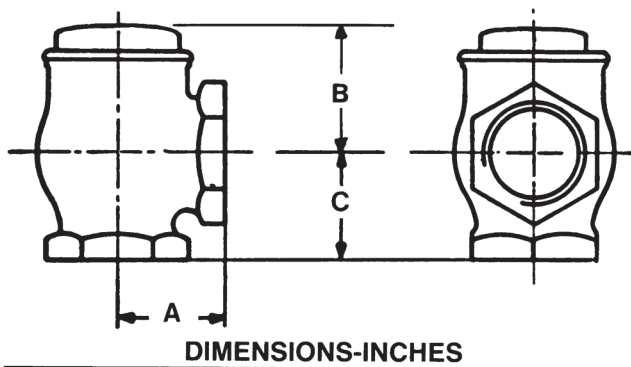
125 psi WOG at 100°F • 25 psi WOG AT 350°F

Threaded Cap • Threaded Ends

Light weight, positive closing. Viton-A\* renewable disc.  
Guided in friction free bearing. This valve was formerly  
identified by drawing number C-35417-S.

**Valve must be mounted in upright position.**

For 2 1/2" Flanged Aluminum Check, P-717F



### DIMENSIONS-INCHES

SIZE	A	B	C
2	2 9/16	2 7/16	2 9/16

\*Registered E.I. DuPont Trademark

The information presented on this sheet is correct at time of publication. Milwaukee Valve reserves the right to change design and/or materials without notice. For our Installation, Operation and Maintenance Manual and the most current product information go to [www.milwaukeevalve.com](http://www.milwaukeevalve.com).  
⚠ State of California Prop 65 **WARNING:** Cancer and Reproductive Harm. For more information visit [www.p65warnings.ca.gov](http://www.p65warnings.ca.gov).

