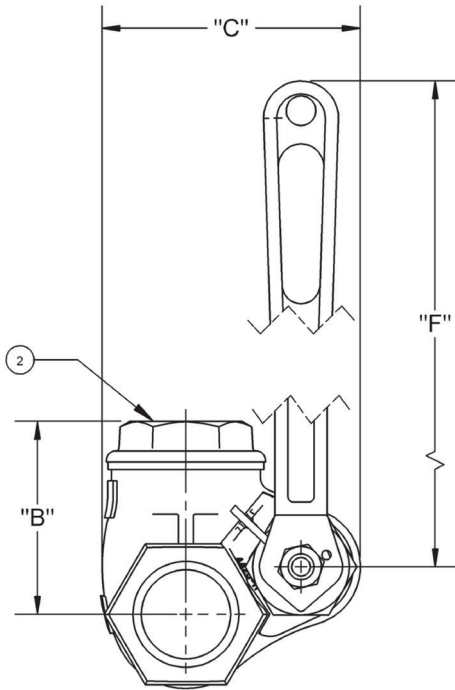
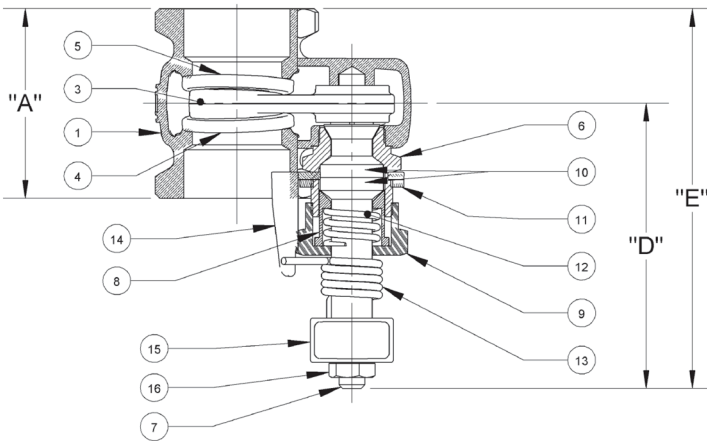


P900 1"-3"

Bronze Gate Valve
150 SWP - 300 WOG†
Quick Opening • Self Closing
Lever Operated • Double Disc • Threaded Ends



MATERIAL LIST			
No.	PART	MATERIAL	SPECIFICATION
1	Body	Bronze	ASTM B62
2	Cap	Bronze	ASTM B62
3	Lever	Bronze	ASTM B62
4	Male Disc	Brass	ASTM B16, 1"
		Bronze	ASTM B62, 1-1/4" to 3"
5	Female Disc	Brass	ASTM B16, 1"
		Bronze	ASTM B62, 1-1/4" to 3"
6	Bonnet	Bronze	ASTM B62
7	Stem	Brass	ASTM B16
8	Gland	Brass	ASTM B16
9	Packing Nut	Bronze	ASTM B62
10	Packing	Graphite	
11	Locknut Bracket	Bronze	ASTM B16
12	Gland Spring	Steel	
13	Spring, Torsion	Steel	
14	Spring Bracket	Bronze	ASTM B62
15	Handle Lever, Drilled	Steel	ASTM A216
16	Handle Nut	Steel	



DIMENSIONS - INCHES/MILLIMETERS								
Units	Size	A	B	C	D	E	F	Cv
Inches	1	2.50	2.38	3.37	4.31	5.56	7.00	54
mm		64	60	86	109	141	178	
Inches	1 1/4	2.88	2.81	3.84	4.44	5.88	8.19	97
mm		73	71	98	113	149	208	
Inches	1 1/2	3.18	3.25	4.34	4.79	6.38	10.50	135
mm		81	83	110	122	162	267	
Inches	2	3.75	4.12	5.31	5.41	7.28	10.50	230
mm		95	105	135	137	185	267	
Inches	2 1/2	4.25	4.50	5.94	5.47	7.59	11.51	337
mm		108	114	151	139	193	292	
Inches	3	4.75	5.63	7.02	5.59	7.97	11.50	536
mm		121	143	178	142	202	292	

Note: Not intended for use in potable water.

† Non-Shock

INNOVATION IN EVERY VALVE

The information presented on this sheet is correct at time of publication. Milwaukee Valve reserves the right to change design and/or materials without notice. For our Installation, Operation and Maintenance Manual and the most current product information go to www.milwaukeevalve.com. ⚠ State of California Prop 65
WARNING: Cancer and Reproductive Harm. For more information visit www.p65warnings.ca.gov.

