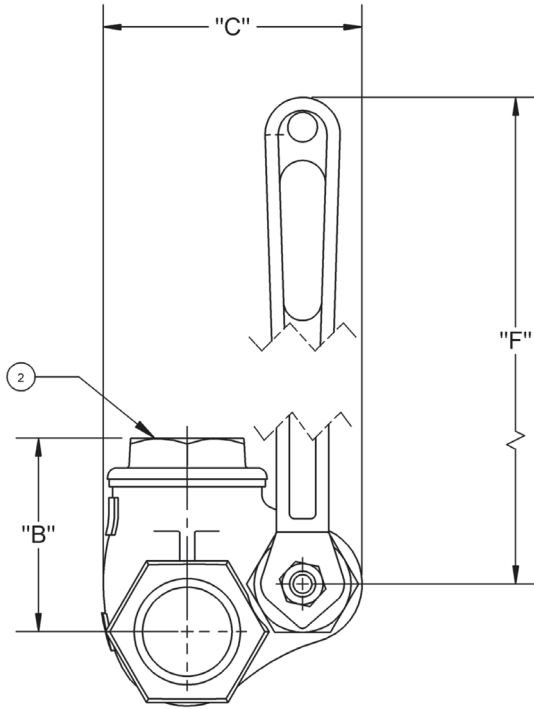


P901 1/2"-4"

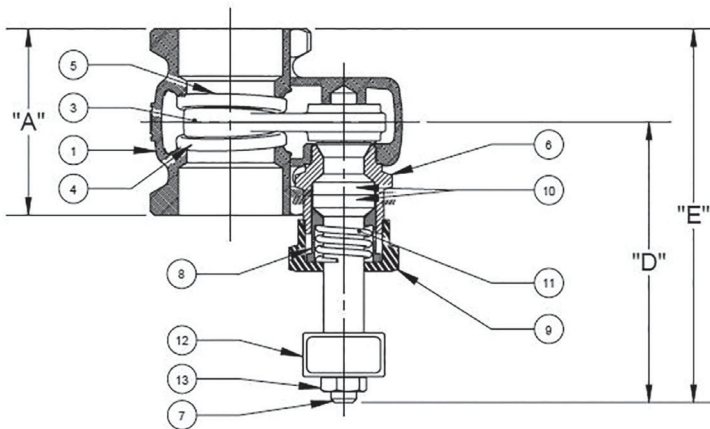
Bronze Gate Valve
150 SWP - 300 WOG†
Quick Opening

Lever Operated • Double Disc • Threaded Ends



MATERIAL LIST			
No.	PART	MATERIAL	SPECIFICATION
1	Body	Bronze	ASTM B62
2	Cap	Bronze	ASTM B62
3	Lever	Bronze	ASTM B62
4	Male Disc	Brass	ASTM B16, 1/2" to 1"
		Bronze	ASTM B62, 1-1/4" to 4"
5	Female Disc	Brass	ASTM B16, 1/2" to 1"
		Bronze	ASTM B62, 1-1/4" to 4"
6	Bonnet	Brass	ASTM B16, 1/2" to 3/4"
		Bronze	ASTM B62, 1" to 4"
7	Stem	Brass	ASTM B16
8	Gland	Brass	ASTM B16
9	Packing Nut	Brass	ASTM B16, 1/2" to 3/4"
		Bronze	ASTM B62, 1" to 4"
10	Packing	Graphite	
11	Gland Spring	Steel	
12	Handle Lever	Steel	ASTM A216
13	Handle Nut	Steel	

DIMENSIONS - INCHES/MILLIMETERS								
Units	Size	A	B	C	D	E	F	Cv
Inches	1/2	2.00	1.38	2.44	2.78	3.78	4.69	17.6
mm		51	35	62	71	96	119	
Inches	3/4	2.25	1.69	2.94	3.21	4.33	4.69	32
mm		57	43	75	82	110	119	
Inches	1	2.50	2.38	3.37	4.31	5.56	7.00	54
mm		64	60	86	109	141	178	
Inches	1 1/4	2.88	2.81	3.84	4.44	5.88	8.19	97
mm		73	71	98	113	149	208	
Inches	1 1/2	3.18	3.25	4.34	4.79	6.38	10.50	135
mm		81	83	110	122	162	267	
Inches	2	3.75	4.12	5.31	5.41	7.28	10.50	230
mm		95	105	135	137	185	267	
Inches	2 1/2	4.25	4.50	5.94	5.47	7.59	11.51	337
mm		108	114	151	139	193	292	
Inches	3	4.75	5.63	7.02	5.59	7.97	11.50	536
mm		121	143	178	142	202	292	
Inches	4	6.00	7.87	7.50	5.56	8.56	14.00	960
mm		152	200	191	141	217	356	



Note: Not intended for use in potable water.

† Non-Shock
 *4" SIZE HAS A BOLTED BONNET (NOT PICTURED)



The information presented on this sheet is correct at time of publication. Milwaukee Valve reserves the right to change design and/or materials without notice. For our Installation, Operation and Maintenance Manual and the most current product information go to www.milwaukeevalve.com. ⚠ State of California Prop 65
WARNING: Cancer and Reproductive Harm. For more information visit www.p65warnings.ca.gov.

