



# UP105 1/4"-2"



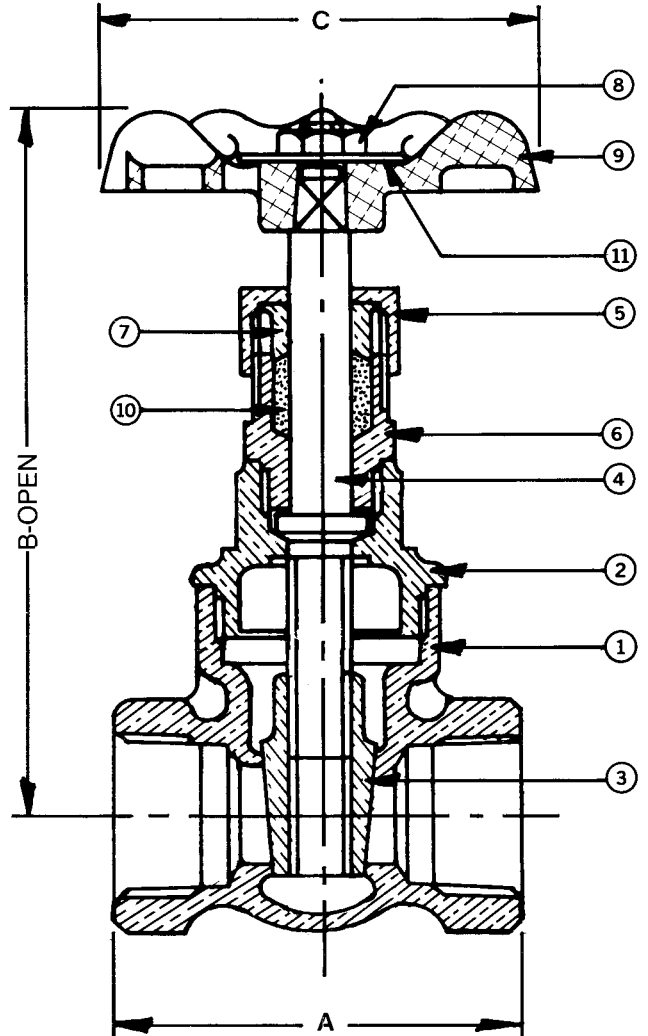
**Bronze Gate Valve For Potable Water**  
**300 psig WOG †**  
**Solid Wedge Disc • Non-Rising Stem**  
**Threaded Bonnet • Threaded Ends**

**Dimensions and Workmanship Conform to MSS SP-80**

## MATERIALS LIST

ITEM	PART	MATERIALS	ASTM SPEC.
1	Body	Bronze	B584 C89833
2	Bonnet	Bronze	B584 C89833
3	Wedge	Bronze	B584 C89833
4	Stem	Brass	B21 C46400, H02
5	Stuff Nut	Brass	B283 C37700
6	Check Nut	Brass	B283 C27450
7	Gland <sup>1</sup>	Brass	B283 C37700
8	Wheel Nut	Brass	Commercial
9	Handwheel	Mall. Iron	Commercial
10	Packing	Graphite	Commercial
11	Name Plate	Sh. Alum	Commercial

1 Not used on 1/2" and smaller



## DIMENSIONS

Units	Size	A	B	C	Cv
INCHES	1/4	1.75	3.63	2.00	5.6
mm		44	92	51	
INCHES	3/8	1.81	3.63	2.00	10.7
mm		46	92	51	
INCHES	1/2	2.00	3.63	2.00	17.6
mm		51	92	51	
INCHES	3/4	2.18	4.38	2.50	32.0
mm		55	111	64	
INCHES	1	2.56	5.00	2.75	54.0
mm		65	127	70	
INCHES	1 1/4	2.78	5.31	3.44	97.0
mm		71	135	87	
INCHES	1 1/2	2.81	6.34	3.75	135.0
mm		71	161	95	
INCHES	2	3.31	7.44	3.75	230.0
mm		84	189	95	

† Non-Shock

**Note:** Lead free refers to the wetted surface of the pipe, fittings and fixtures in potable water systems that have a weighted average lead content  $\leq 0.25\%$ . Source: California Health and Safety Code (116875).

The information presented on this sheet is correct at time of publication. Milwaukee Valve reserves the right to change design and/or materials without notice. For our Installation, Operation and Maintenance Manual and the most current product information go to [www.milwaukeevalve.com](http://www.milwaukeevalve.com).

⚠ State of California Prop 65 **WARNING:** Cancer and Reproductive Harm. For more information visit [www.p65warnings.ca.gov](http://www.p65warnings.ca.gov).

